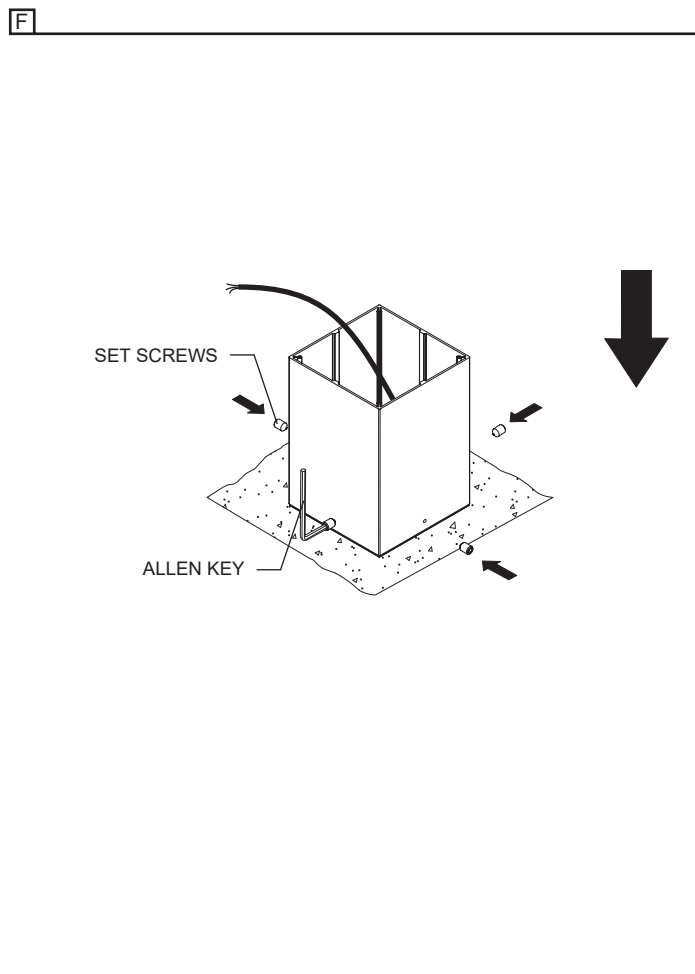
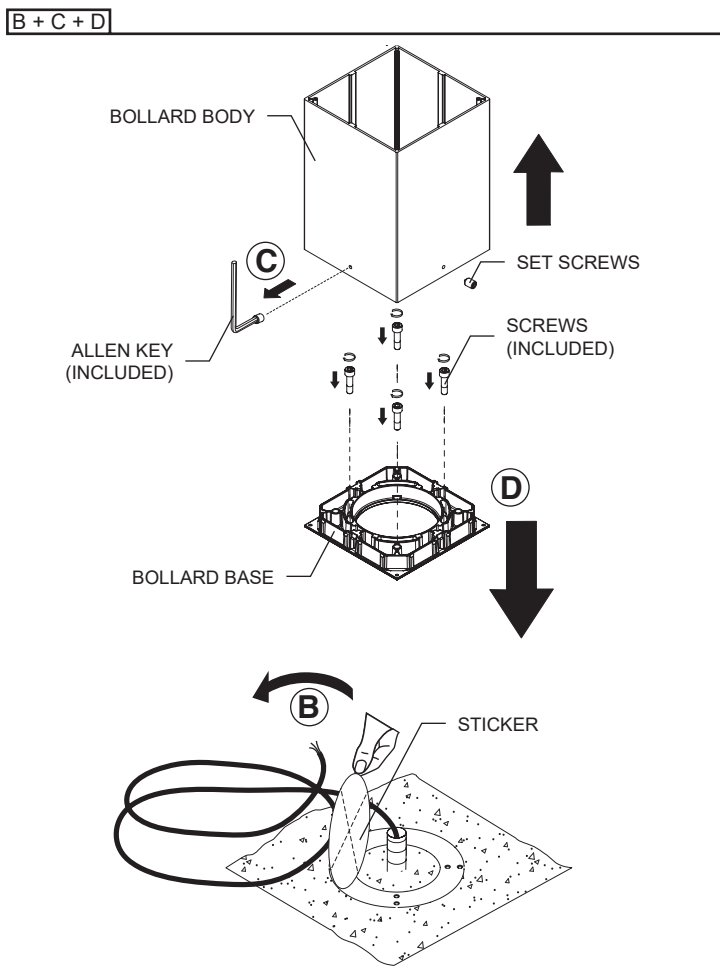
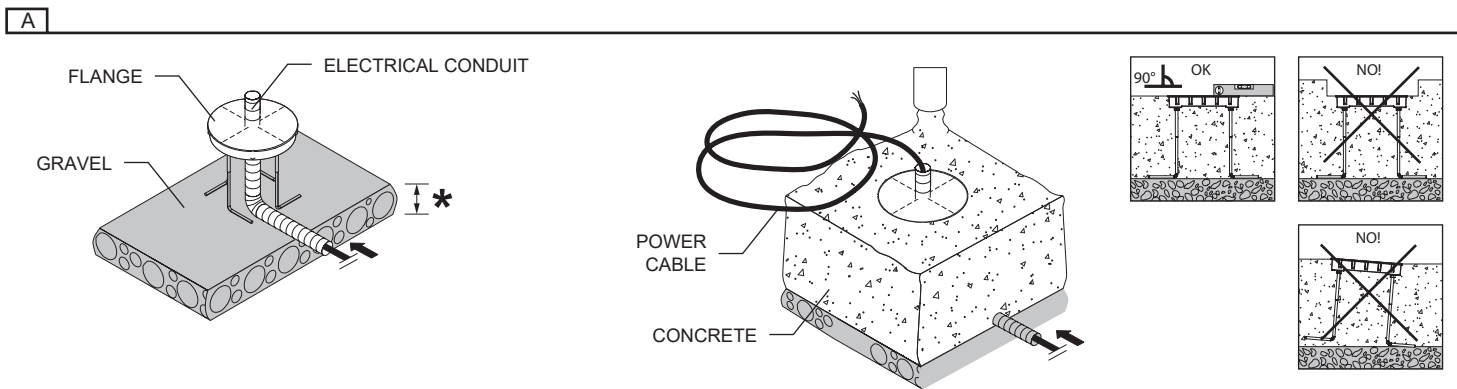


IMPORTANT - READ CAREFULLY BEFORE INSTALLING FIXTURE. RETAIN THESE INSTRUCTIONS FOR FUTURE REFERENCE.
THIS PRODUCT MUST BE INSTALLED IN ACCORDANCE WITH THE NATIONAL ELECTRICAL CODE AND ALL APPLICABLE LOCAL CODES, BY A PERSON FAMILIAR WITH THE CONSTRUCTION AND OPERATION OF THE PRODUCT, AND THE HAZARDS INVOLVED. PROPER GROUNDING IS REQUIRED FOR SAFETY.

GROUND INSTALLATION IN CONCRETE WITH FLANGE (S5350, S6309). INTEGRAL DRIVER 120V(120) OR 120-277V (UNV), DIMMING 0-10V (D10)

- A- INSTALL FLANGE ACCESSORY (TO BE ORDERED SEPERATELY) IN CONCRETE, FLUSH WITH MOUNTING SURFACE
- B- REMOVE STICKER FROM THE FLANGE.
- C- USING THE ALLEN KEY (**INCLUDED**), UNSCREW THE BOLLARD'S SET SCREWS AND REMOVE THE BOLLARD BODY.
- D- FIX THE BOLLARD BASE TO THE FLANGE USING THE (4) SCREWS (**INCLUDED**).
- E- LOWER THE BOLLARD BODY ON IT'S BASE AND SCREW IT BACK WITH THE (4) SET SCREWS USING THE ALLEN KEY.



KUBE FAMILY

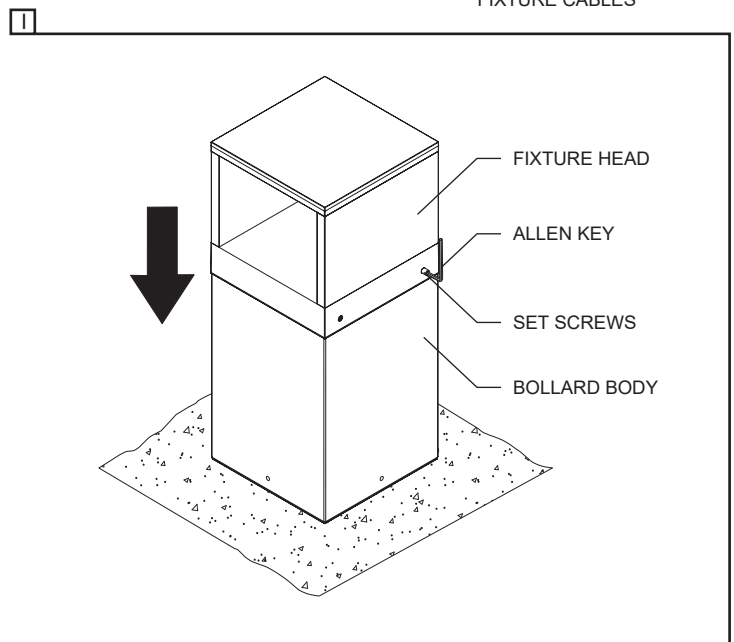
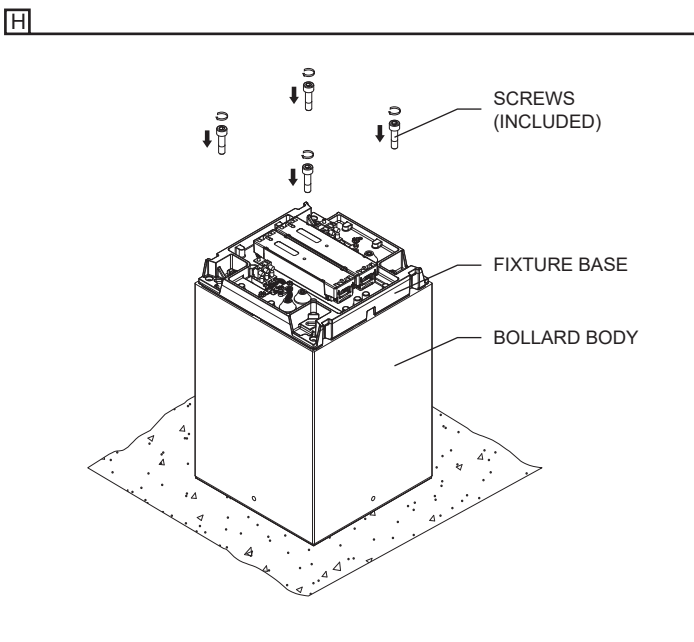
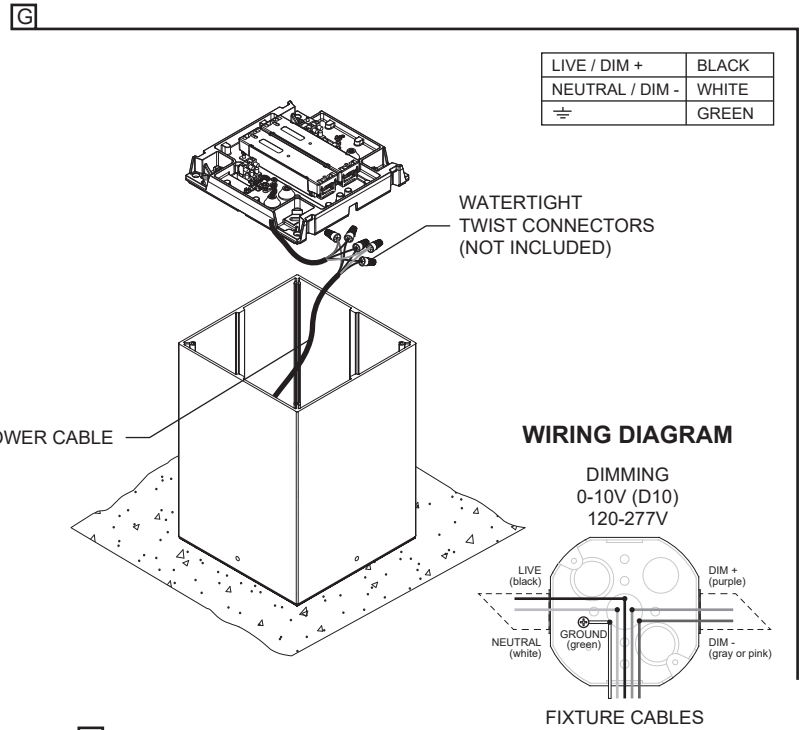
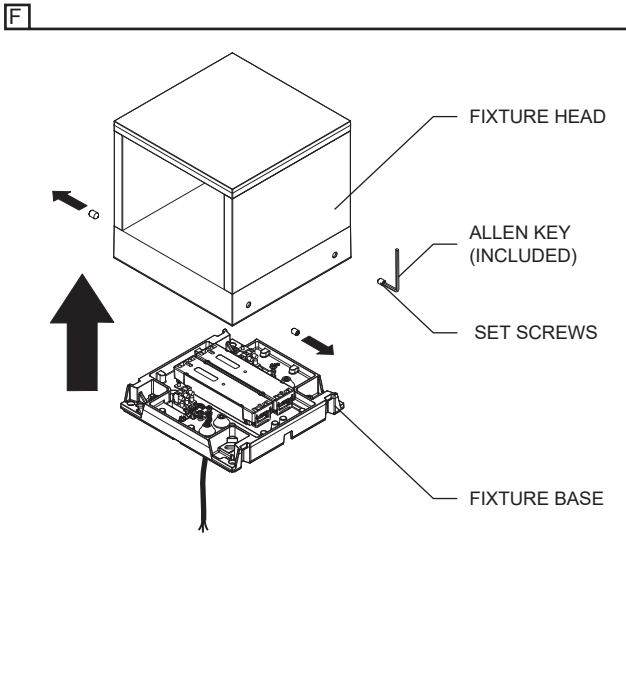
MODELS: S6300, S6306, S6307, S6340, S6346, S6347

F- UNSCREW THE FIXTURE HEAD (4) SET SCREWS WITH THE ALLEN KEY (INCLUDED) AND REMOVE IT.

G- MAKE WIRE CONNECTIONS (FOLLOWING POLARITY MARKING) USING WATERTIGHT CONNECTORS (NOT INCLUDED).

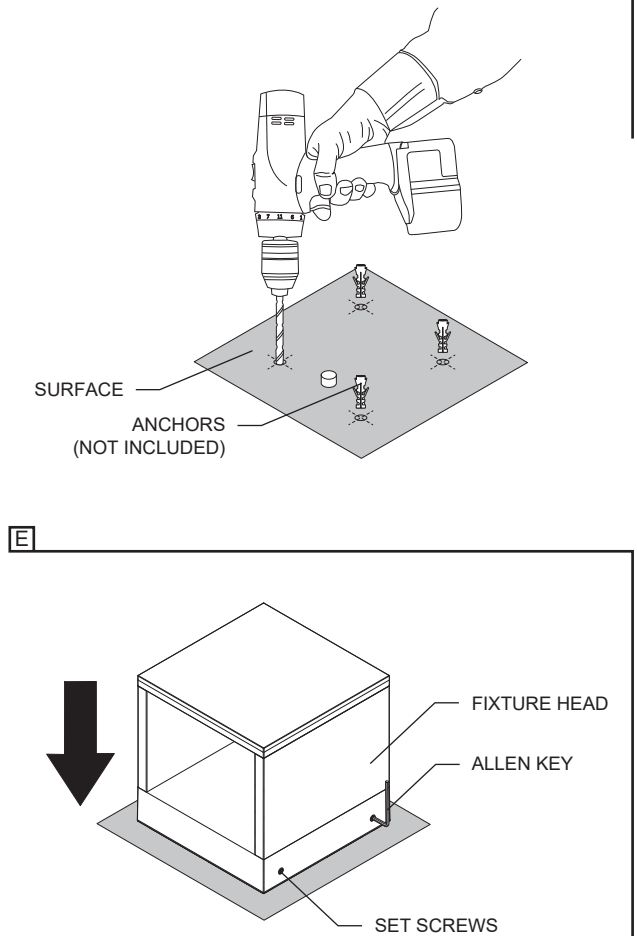
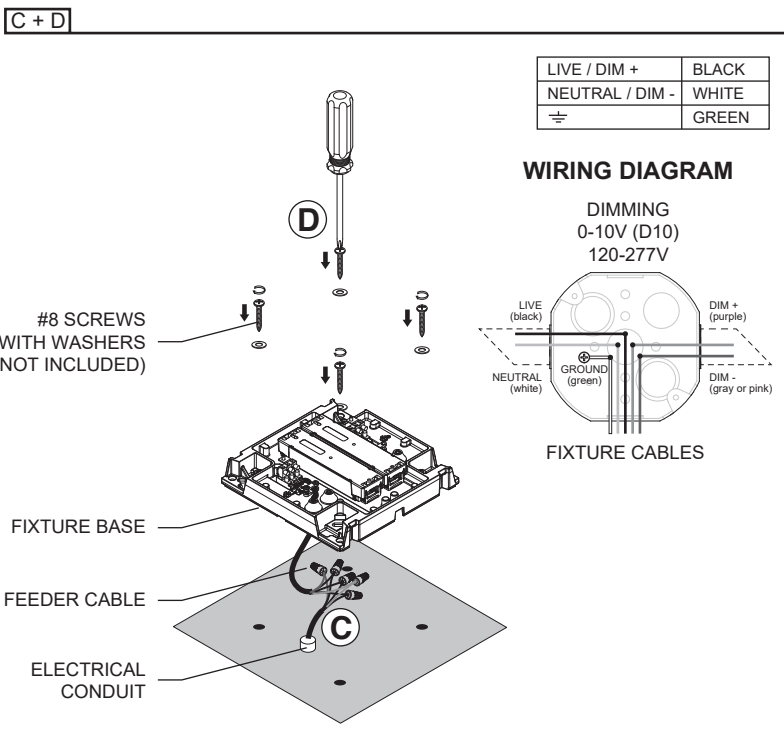
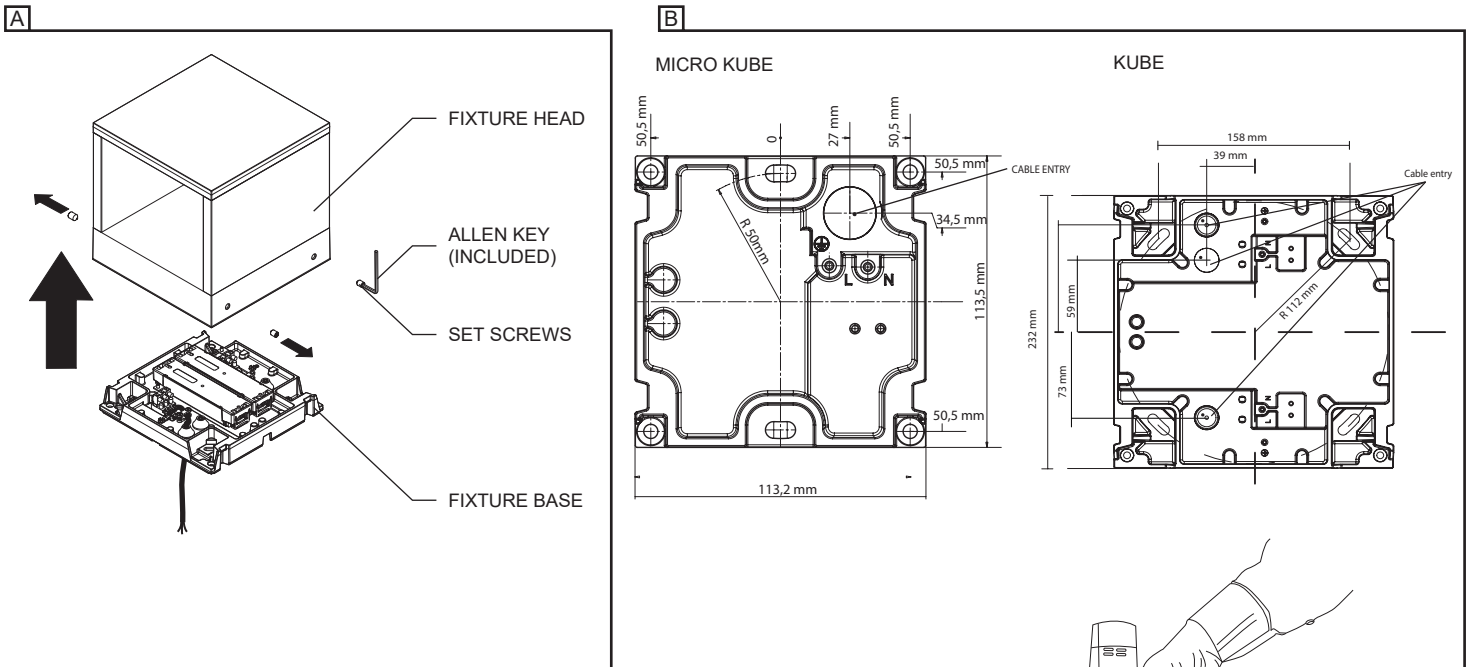
H- FASTEN THE FIXTURE BASE TO THE BOLLARD BODY USING THE (4) SCREWS (INCLUDED).

I- SCREW THE FIXTURE HEAD (4) SET SCREWS TO THE BOLLARD BODY USING AN ALLEN KEY (INCLUDED).



GROUND INSTALLATION ON ALTERNATIVE SURFACE WITHOUT FLANGE INTEGRAL DRIVER 120V (120) OR 120-277V (UNV), DIMMING 0-10V (D10)

- A- UNSCREW THE FIXTURE HEAD (4) SET SCREWS WITH AN ALLEN KEY (INCLUDED) AND REMOVE IT.
- B- DRILL (4) HOLES INTO THE SURFACE (SEE DIMENSIONS BELOW) AND INSTALL APPROPRIATE ANCHORS (NOT INCLUDED).
- C- MAKE WIRE CONNECTIONS (FOLLOWING POLARITY MARKING) USING WARTERTIGHT CONNECTORS (NOT INCLUDED)
- D- SCREW THE FIXTURE BASE TO THE SURFACE USING (4) #8 SCREWS (INCLUDED).
- E- SCREW THE FIXTURE HEAD (4) SET SCREWS TO THE FIXTURE BASE USING THE ALLEN KEY.



GROUND INSTALLATION WITH STAKE (S1014, S3554) INTEGRAL DRIVER 120V

- A- SCREW THE STAKE TO THE FIXTURE BASE USING THE (4) PHILLIPS SCREWS (INCLUDED)
- B- 1- USE A RUBBER Mallet TO INSERT STAKE INTO THE GROUND.
2- INSERT STAKE TO THE FIRST DISC TO INSURE A LEVELED POSITION WITH THE GROUND.
- C- BRING THE FEEDER CABLE TO A JUNCTION BOX (SUPPLIED BY CONTRACTOR) AND MAKE WIRE CONNECTIONS (FOLLOWING POLARITY MARKING) USING WATERTIGHT CONNECTORS (NOT INCLUDED).

