

MICROREEF / MINIREEF / REEF BOLLARD

MODEL : S5317, S5327, S5337, S5377 / S5240, S5243, S5253, S5263 / S5247, S5257, S5267, S5297

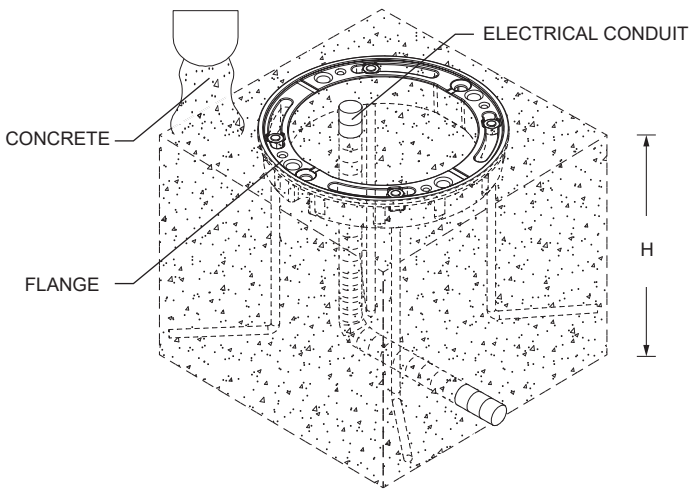
IMPORTANT - READ CAREFULLY BEFORE INSTALLING FIXTURE. RETAIN THESE INSTRUCTIONS FOR FUTURE REFERENCE.
 THIS PRODUCT MUST BE INSTALLED IN ACCORDANCE WITH THE NATIONAL ELECTRICAL CODE AND ALL APPLICABLE LOCAL CODES, BY A PERSON FAMILIAR WITH THE CONSTRUCTION AND OPERATION OF THE PRODUCT, AND THE HAZARDS INVOLVED. PROPER GROUNDING IS REQUIRED FOR SAFETY.

GROUND INSTALLATION IN CONCRETE WITH FLANGE (S5301, S5200, S5203). INTEGRAL DRIVER (120V - 277V)

A- DIG A HOLE (SEE DIMENSIONS BELOW), PUT THE FLANGE AND ELECTRICAL CONDUIT INTO THE HOLE. POUR CONCRETE AND MAKE SURE IT IS LEVELED WITH THE FLANGE.

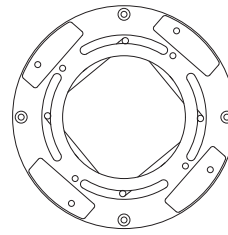
* DEPENDING ON MODEL ORDERED, SEE DRAWING BELOW TO POSITION FLANGE FOR OPTIMAL BEAM ORIENTATION.

A

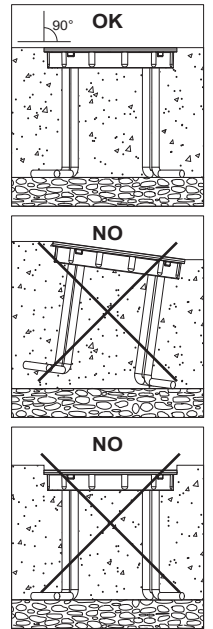
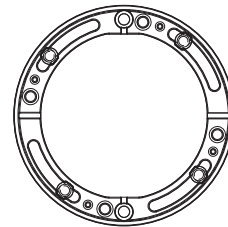


REEF
S5247, S5257, S5267, S5297

MINIREEF
S5240, S5243, S5253, S5263



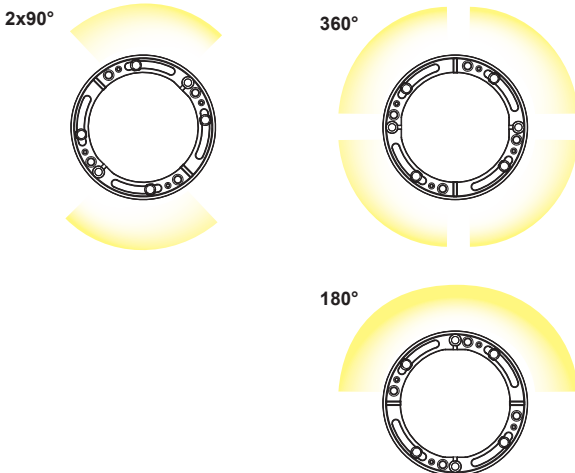
MICROREEF
S5337, S5327, S5317, S5377



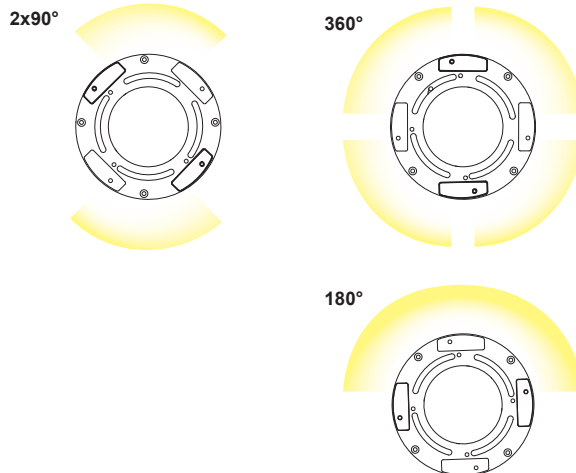
Model	Model Code	Flange code	Flange dimensions
MICROREEF	S5317, S5327, S5337, S5377	S5301	5 1/8" x 6 1/8" (130 x 155mm)
MINIREEF	S5240, S5243, S5253, S5263	S5200	7 1/2" x 8 7/8" (190 x 225mm)
REEF	S5247, S5257, S5267, S5297	S5203	10 1/16" x 8 7/8" (250 x 225mm)

LIGHT DIRECTION

MICROREEF



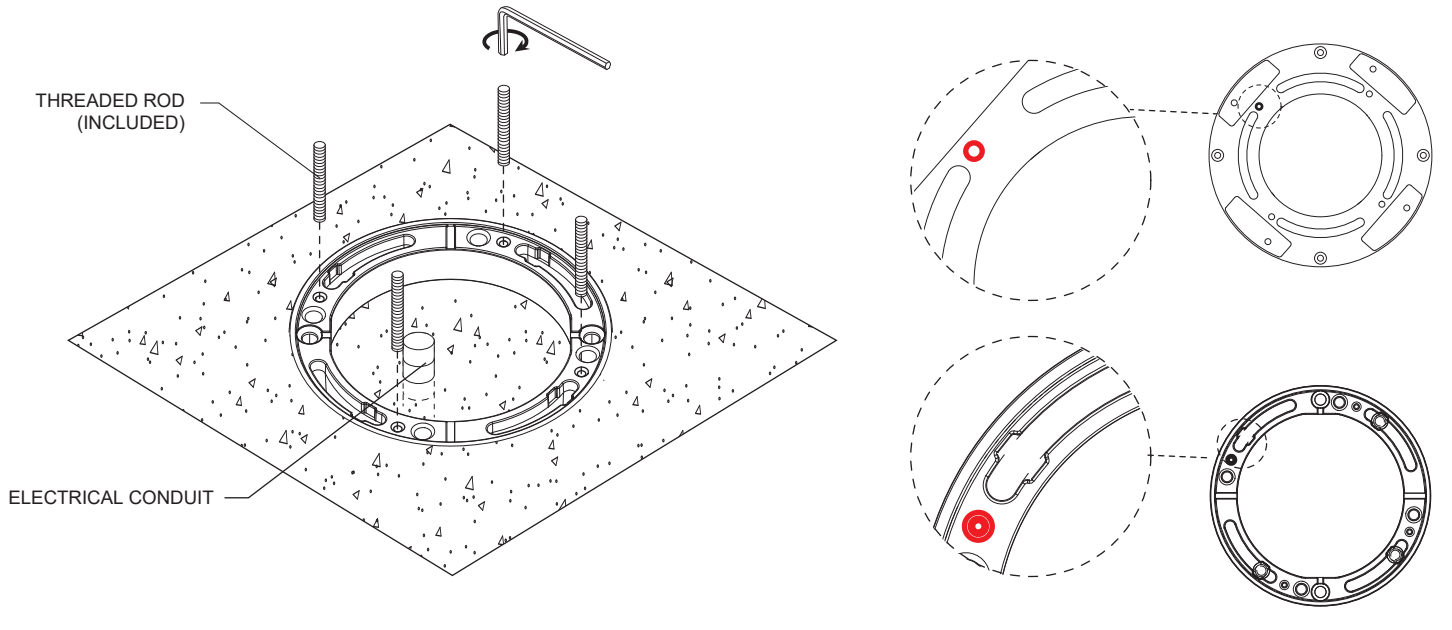
REEF / MINIREEF



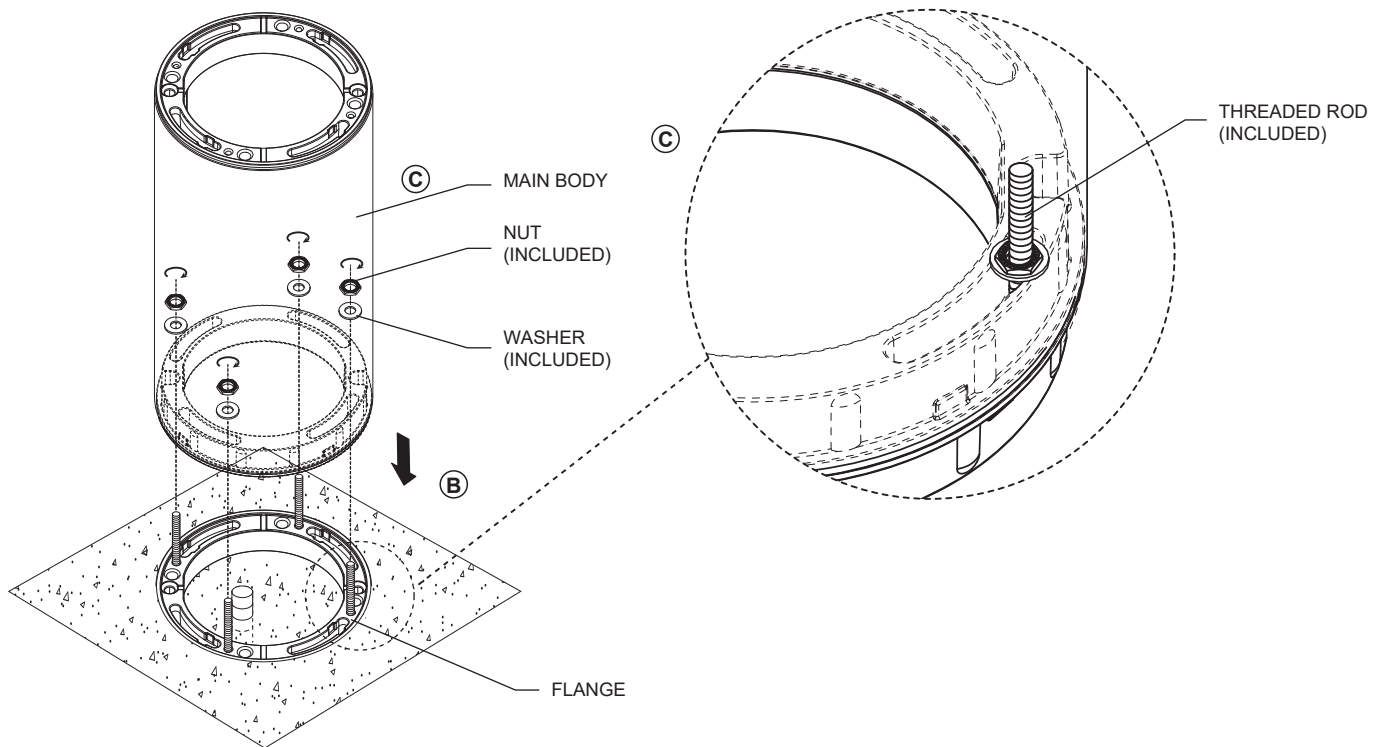
BOLLARD INSTALLATION

- A- UNFASTEN THE (4) THREADED RODS (INCLUDED) AND SCREW THEM INTO THE FLANGE USING THE ALLEN KEY (INCLUDED).
- B- LOWER THE MAIN BODY ON TOP OF THE FLANGE AND INSERT IT OVER THE THREADED RODS.
- C- SECURE THE MAIN BODY TO THE FLANGE USING WASHERS AND NUTS (INCLUDED).

A



B + C

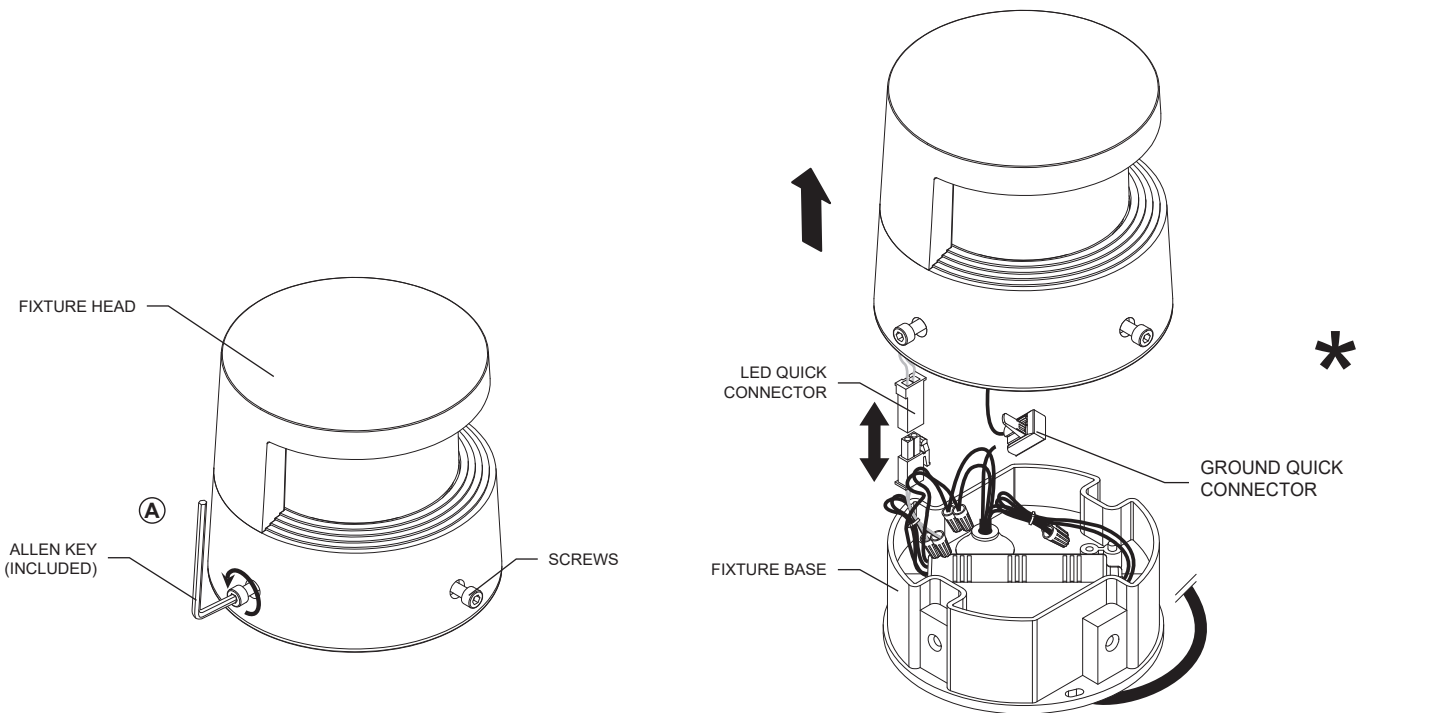


**MICROREEF HEAD INSTALLATION ON BOLLARD.
 INTEGRAL DRIVER (120V / 277V)**

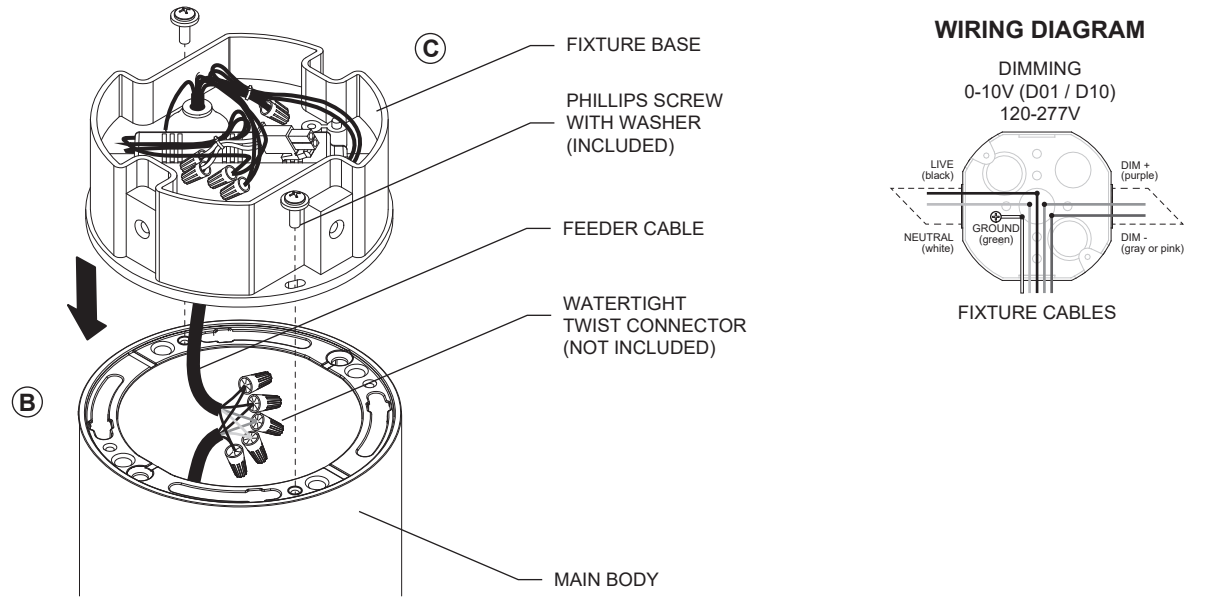
⚠ DISCONNECT THE MAIN LINE BEFORE INSTALLATION TO AVOID ELECTRICAL SHOCK OR DAMAGE TO LED ARRAY.

- A- UNFASTEN THE FIXTURE HEAD (4) SCREWS WITH AN ALLEN KEY (**INCLUDED**) AND REMOVE IT.
 *BEFORE FULLY REMOVING THE FIXTURE HEAD, DISCONNECT THE LED AND GROUND QUICK CONNECTORS.
- B- PASS THE FEEDER CABLE THROUGH THE MAIN BODY AND MAKE WIRE CONNECTIONS (**SEE WIRING DIAGRAM**) INSIDE A REMOTE JUNCTION BOX (**PROVIDED BY OTHERS**).
- C- SCREW THE FIXTURE BASE TO THE FLANGE WITH THE (2) PHILLIPS SCREWS AND WASHERS (**INCLUDED**).

A



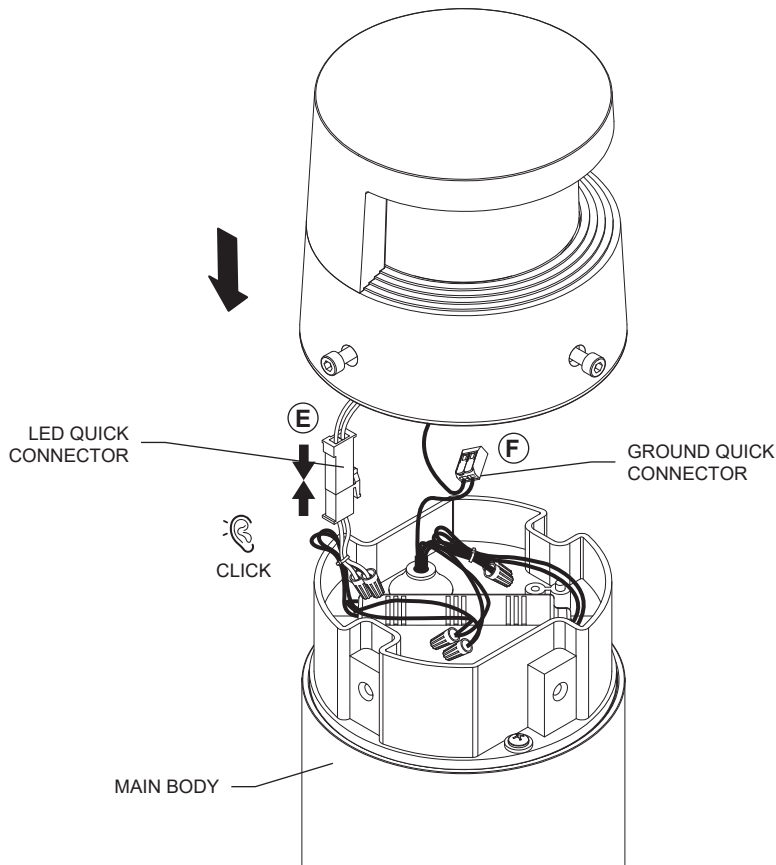
B + C



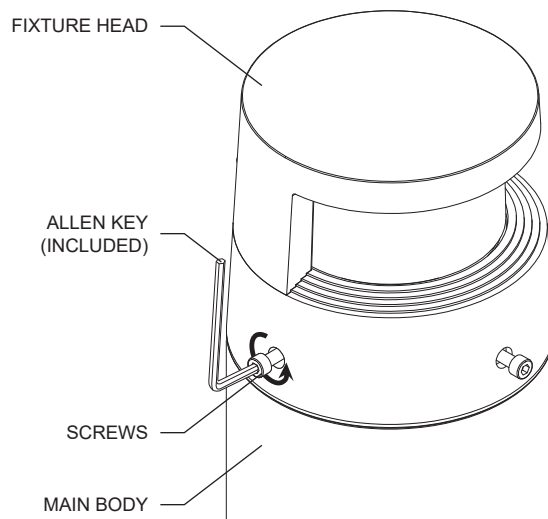
MODEL : S5317, S5327, S5337, S5377 / S5240, S5243, S5253, S5263 / S5247, S5257, S5267, S5297

- D- RECONNECT THE GROUND WIRES USING THE QUICK CONNECTOR.
- E- RECONNECT THE LED QUICK CONNECTOR.
- F- FASTEN THE FIXTURE HEAD (4) SCREWS USING THE ALLEN KEY (INCLUDED).

D + E



F

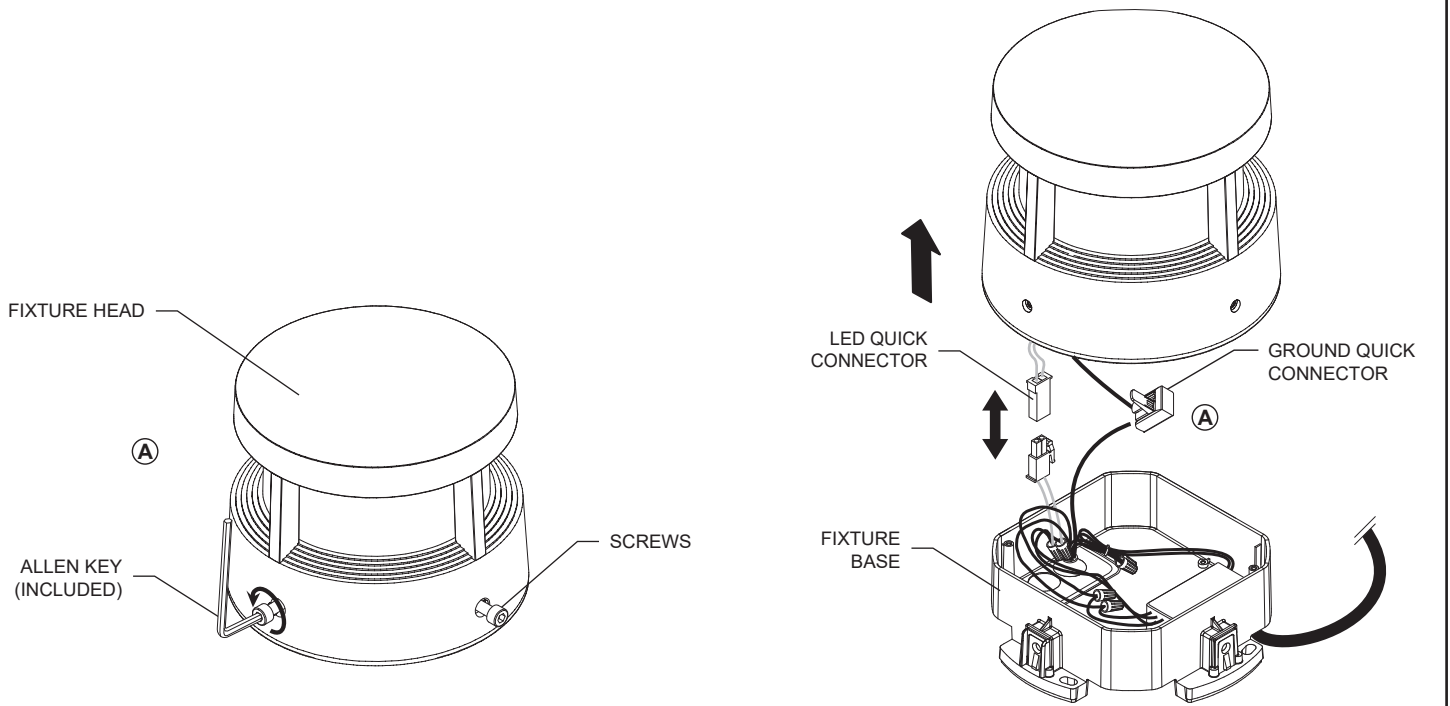


MINIREEF AND REEF HEAD INSTALLATION ON BOLLARD INTEGRAL DRIVER (120V / 277V)

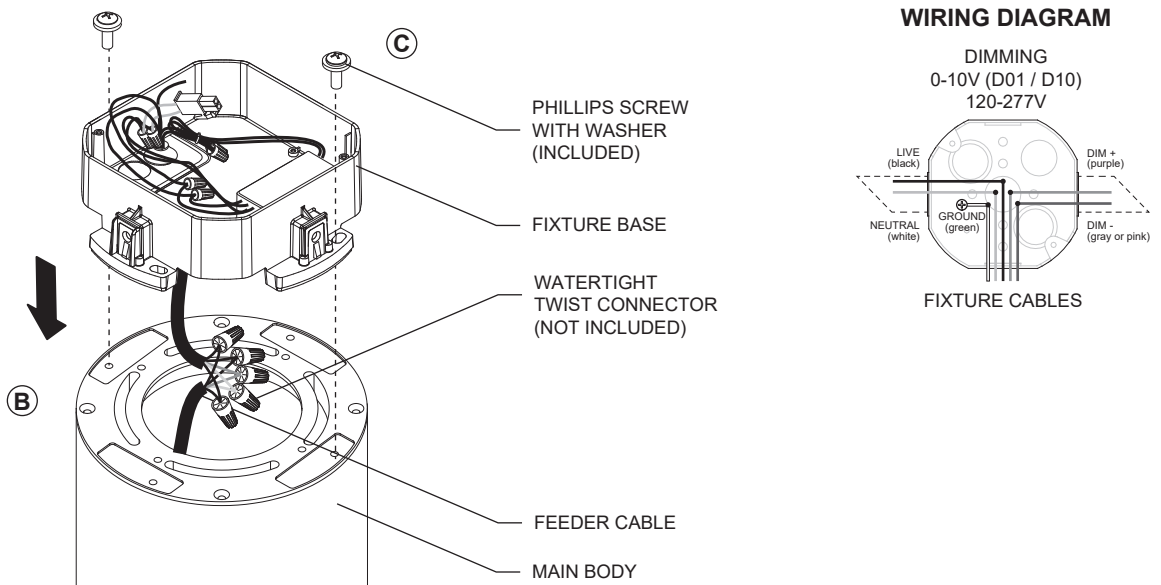
⚠ DISCONNECT THE MAIN LINE BEFORE INSTALLATION TO AVOID ELECTRICAL SHOCK OR DAMAGE TO LED ARRAY.

- A- UNFASTEN THE FIXTURE HEAD (4) SCREWS WITH AN ALLEN KEY (**INCLUDED**) AND REMOVE IT.
 *BEFORE FULLY REMOVING THE FIXTURE HEAD, DISCONNECT THE LED AND GROUND QUICK CONNECTORS.
- B- PASS THE FEEDER CABLE THROUGH THE MAIN BODY AND MAKE WIRE CONNECTIONS (**SEE WIRING DIAGRAM**) INSIDE A REMOTE JUNCTION BOX (**PROVIDED BY OTHERS**).
- C- SCREW THE FIXTURE BASE TO THE FLANGE WITH THE (2) PHILLIPS SCREWS AND WASHERS (**INCLUDED**).

A



B + C



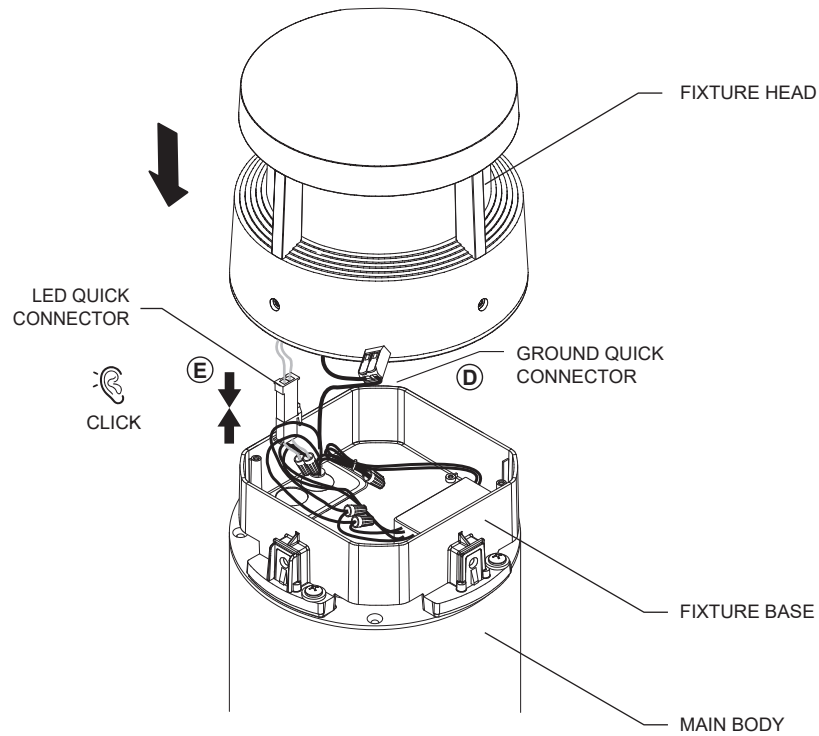
MODEL : S5317, S5327, S5337, S5377 / S5240, S5243, S5253, S5263 / S5247, S5257, S5267, S5297

D- RECONNECT THE GROUND WIRES USING THE QUICK CONNECTOR.

E- RECONNECT THE LED QUICK CONNECTOR.

F- FASTEN THE FIXTURE HEAD (4) SCREWS USING THE ALLEN KEY (INCLUDED).

D + E



F

