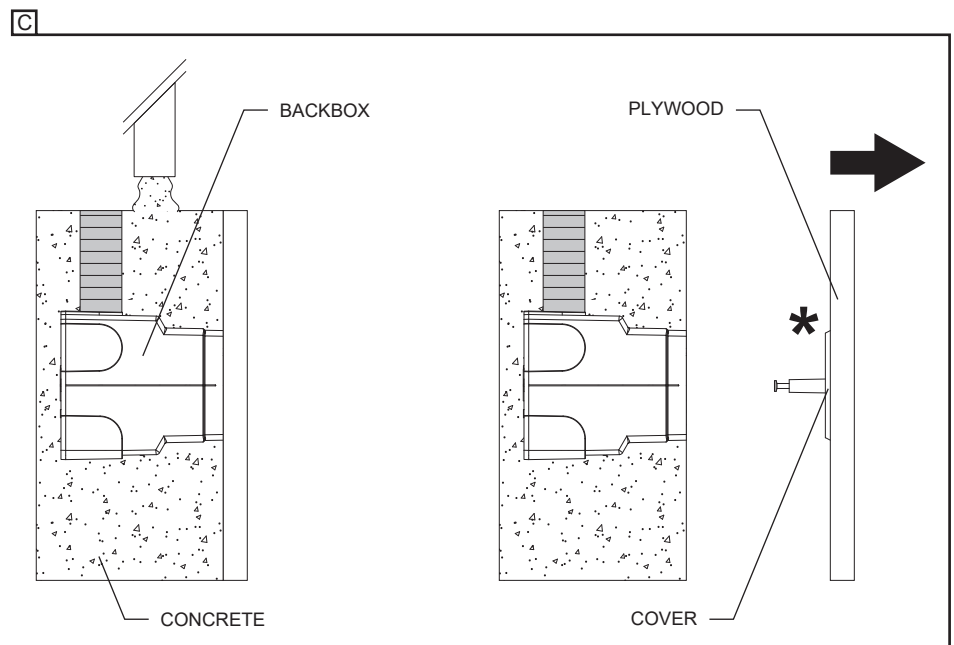
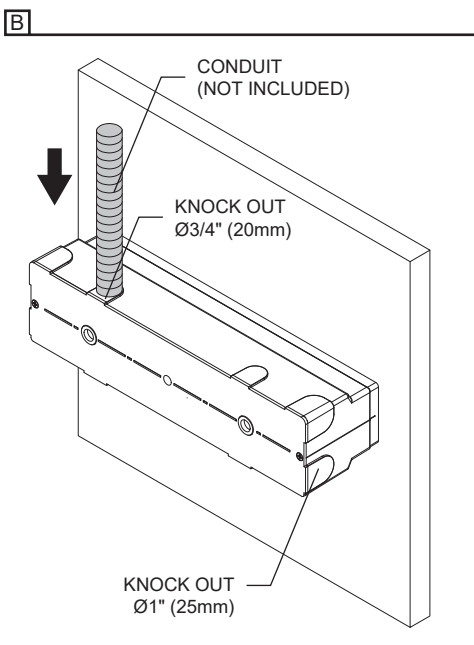
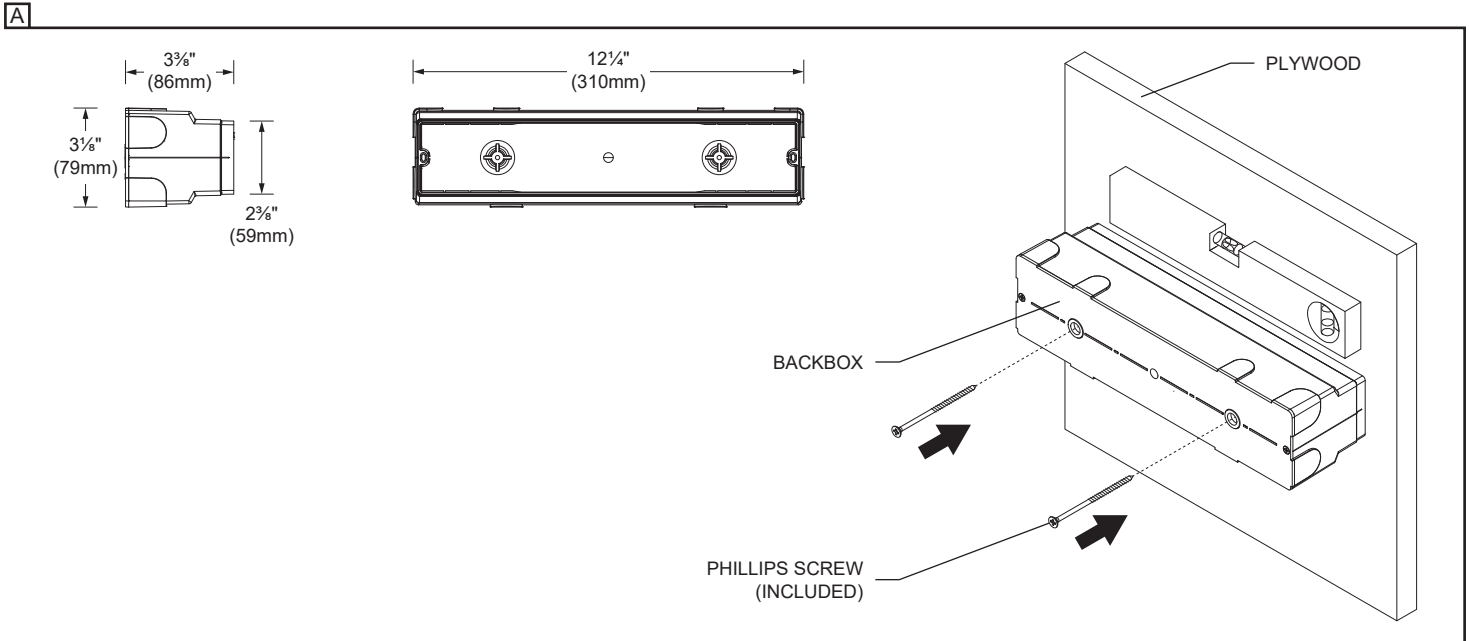


IMPORTANT - READ CAREFULLY BEFORE INSTALLING FIXTURE. RETAIN THESE INSTRUCTIONS FOR FUTURE REFERENCE. THIS PRODUCT MUST BE INSTALLED IN ACCORDANCE WITH THE NATIONAL ELECTRICAL CODE AND ALL APPLICABLE LOCAL CODES, BY A PERSON FAMILIAR WITH THE CONSTRUCTION AND OPERATION OF THE PRODUCT, AND THE HAZARDS INVOLVED. PROPER GROUNDING IS REQUIRED FOR SAFETY.

⚠ DISCONNECT THE MAIN LINE BEFORE WIRING SECONDARY CONNECTORS.

CONCRETE INSTALLATION WITH BACKBOX INTEGRAL DRIVER (120-277V) DIMMING 0-10V

- A- PREPARE THE SURFACE (**SEE BACKBOX DIMENSIONS BELOW**) AND FIX THE BACKBOX TO THE PLYWOOD AT THE DESIRED POSITION USING THE (2) PHILLIPS SCREWS (**INCLUDED**). MAKE SURE THE BACKBOX IS PROPERLY LEVELED.
 - B- INSERT A CONDUIT (**NOT INCLUDED**) IN THE APPROPRIATE KNOCK OUT.
 - C- POUR THE CONCRETE IN THE FORMWORK OVER THE BACKBOX. ONCE THE CONCRETE IS DRY, REMOVE THE PLYWOOD.
- *THE BACKBOX COVER WILL ALSO COME OFF.**



D- MAKE NECESSARY WIRE CONNECTIONS (**FOLLOWING WIRING DIAGRAM**) USING TWIST CONNECTORS (**NOT INCLUDED**).

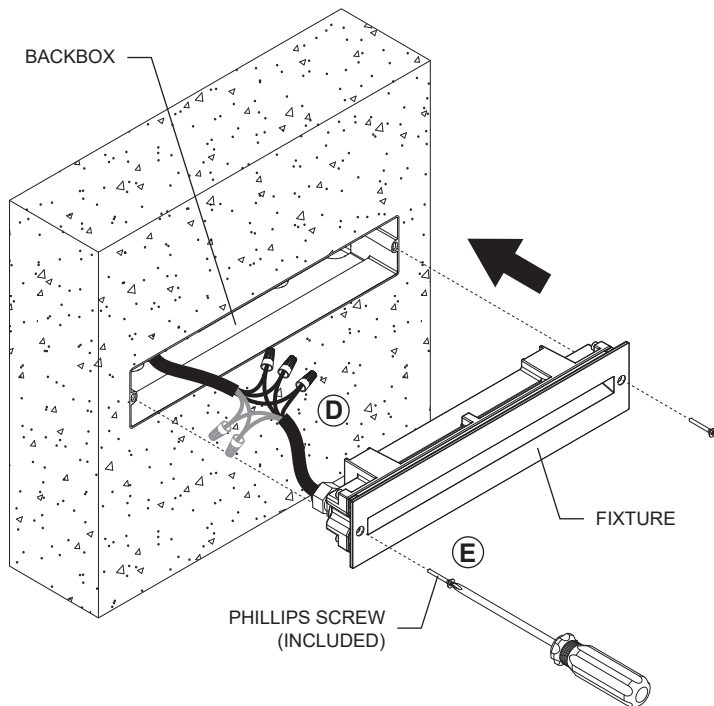
E- INSERT THE FIXTURE INTO THE BACKBOX:

MARKER (S6325): SCREW THE FIXTURE TO THE BACKBOX USING THE (2) PHILLIPS SCREWS (**INCLUDED**).

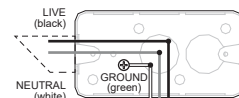
WALKER (S6320): INSERT FIXTURE INTO THE BACKBOX.

D + E

MARKER (S6325)

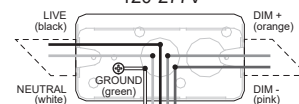


WIRING DIAGRAM



FIXTURE CABLES

DIMMING 0-10V (D10) 120-277V



FIXTURE CABLES

WALKER (S6320)

