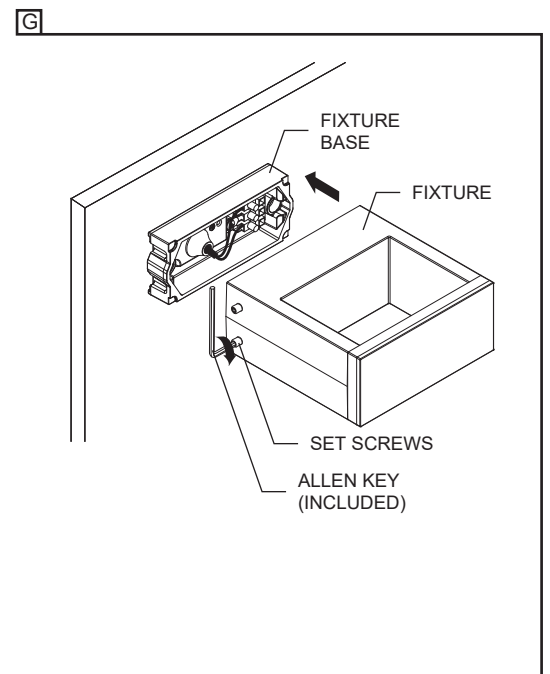
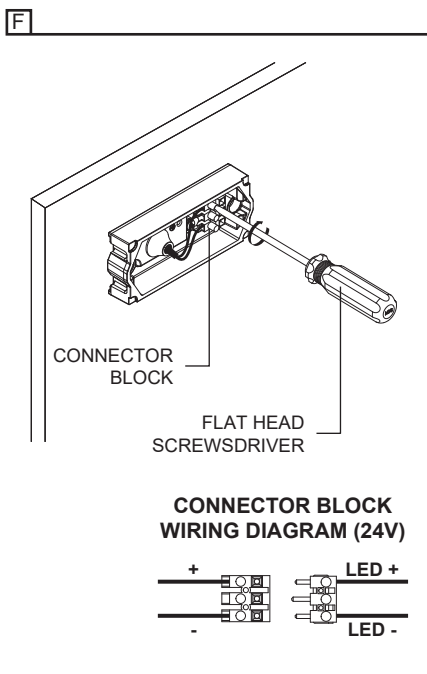
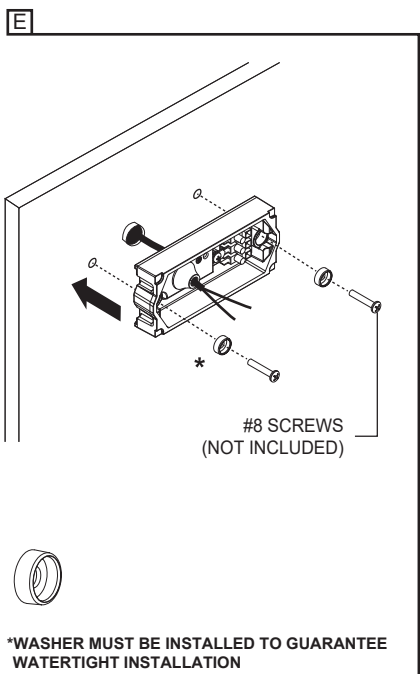
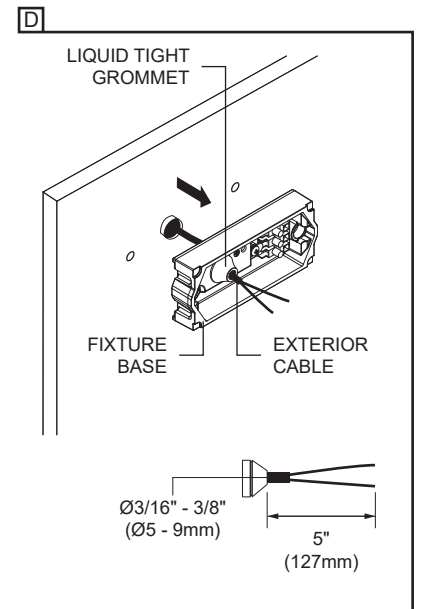
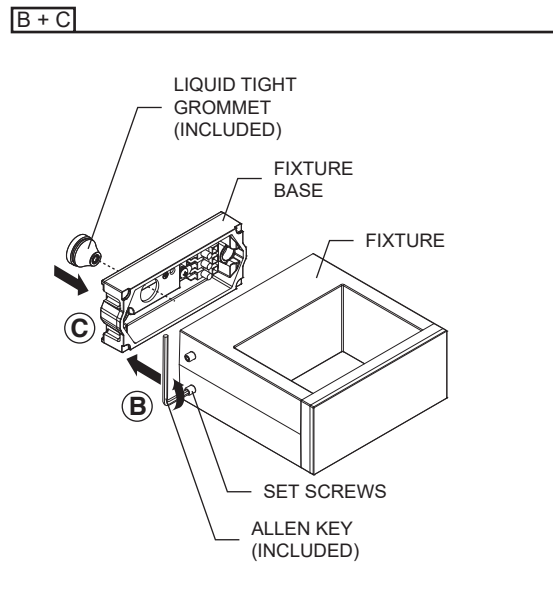
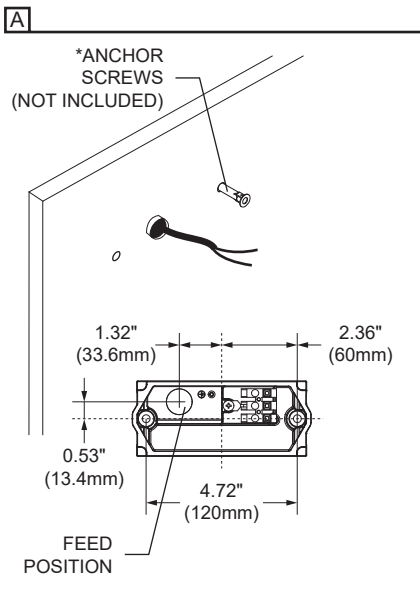


IMPORTANT - READ CAREFULLY BEFORE INSTALLING FIXTURE. RETAIN THESE INSTRUCTIONS FOR FUTURE REFERENCE. THIS PRODUCT MUST BE INSTALLED IN ACCORDANCE WITH THE NATIONAL ELECTRICAL CODE AND ALL APPLICABLE LOCAL CODES, BY A PERSON FAMILIAR WITH THE CONSTRUCTION AND OPERATION OF THE PRODUCT, AND THE HAZARDS INVOLVED. PROPER GROUNDING IS REQUIRED FOR SAFETY.

⚠ DISCONNECT THE MAIN LINE BEFORE WIRING SECONDARY CONNECTORS.

DIRECT FEED INSTALLATION (DF) - LOW VOLTAGE (24V) REMOTE DRIVER (REM)

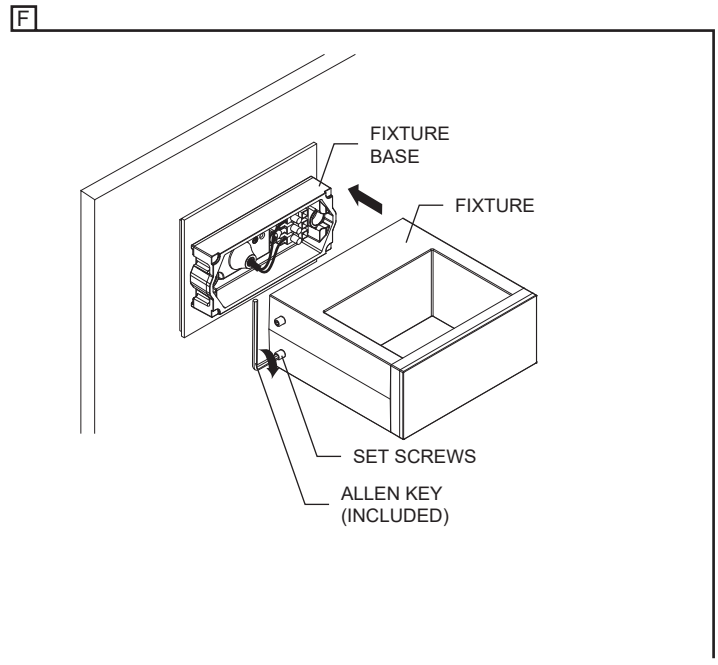
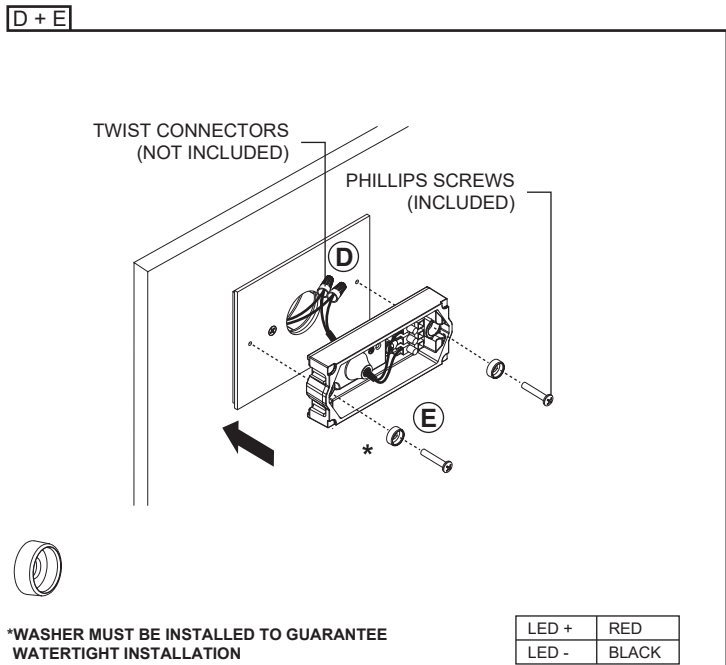
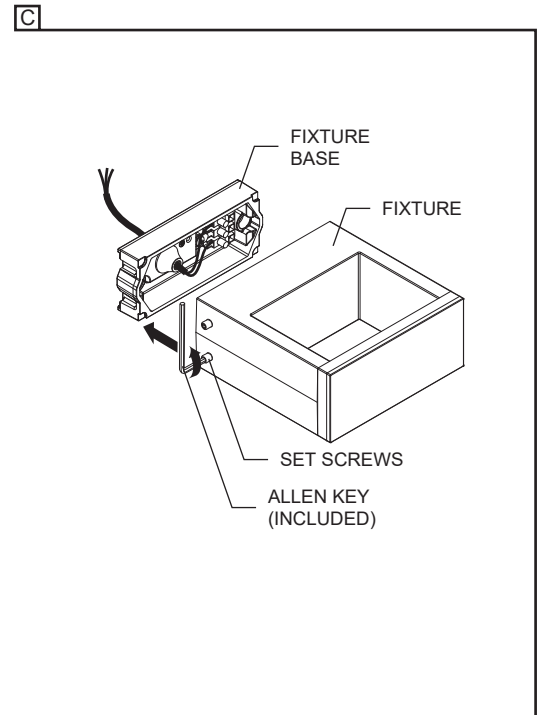
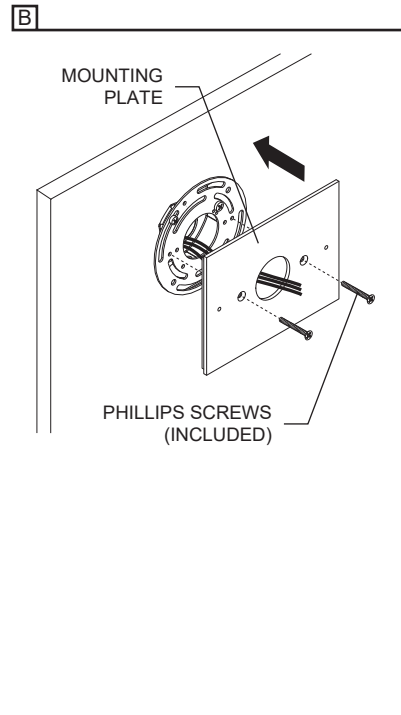
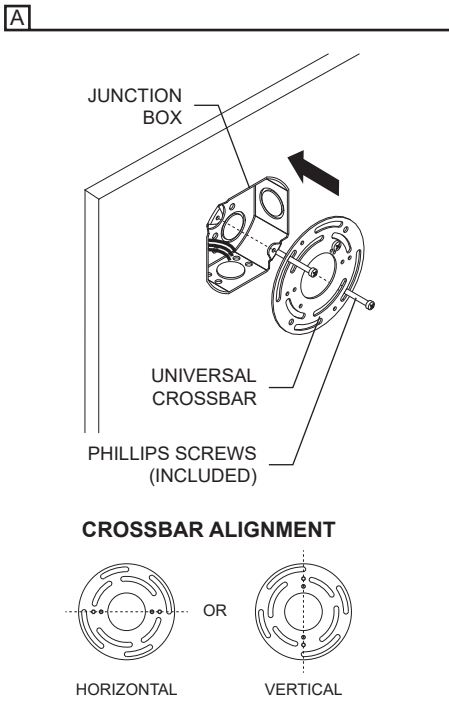
- A- PREPARE SURFACE FOR INSTALLATION (SEE DIMENSIONS BELOW). *INSERT (2) ANCHOR SCREWS (NOT INCLUDED) IF NECESSARY.
- B- UNFASTEN THE SET SCREWS WITH AN ALLEN KEY (INCLUDED) TO REMOVE THE FIXTURE FROM THE BASE. DO NOT COMPLETELY REMOVE THE SET SCREWS.
- C- INSERT THE LIQUID TIGHT GROMMET INTO FIXTURE BASE.
- D- PASS EXTERIOR CABLE THROUGH LIQUID TIGHT GROMMET.
- E- USING (2) #8 SCREWS (NOT INCLUDED) AND WASHERS (INCLUDED), INSTALL THE FIXTURE BASE TO THE WALL. *TO GUARANTEE A WATERTIGHT INSTALLATION, MAKE SURE TO INSERT THE WASHERS (SEE BELOW).
- F- MAKE ALL NECESSARY WIRE CONNECTIONS INTO THE CONNECTOR BLOCK USING A SCREWSDRIVER (SEE WIRING DIAGRAM BELOW).
- G- FASTEN THE FIXTURE ON ITS BASE WITH THE SET SCREWS WITH AN ALLEN KEY (INCLUDED).



⚠ DISCONNECT THE MAIN LINE BEFORE WIRING SECONDARY CONNECTORS.

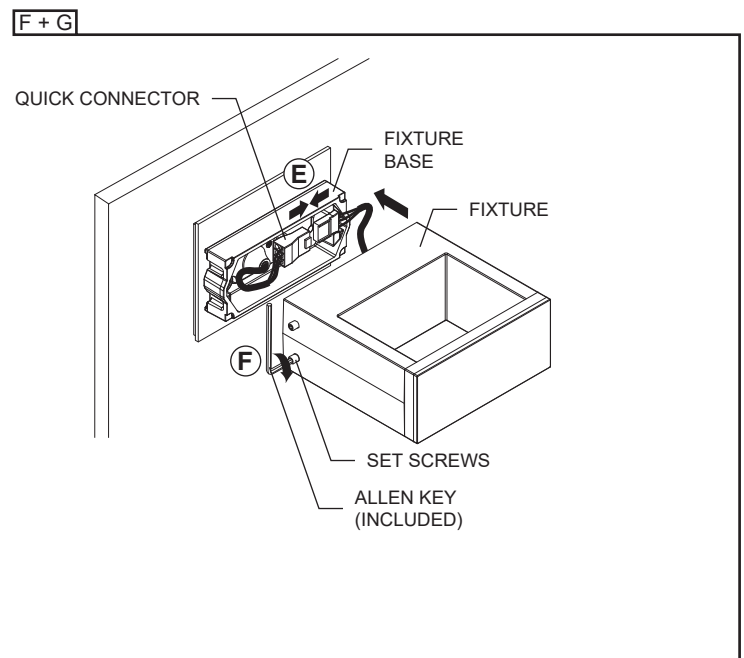
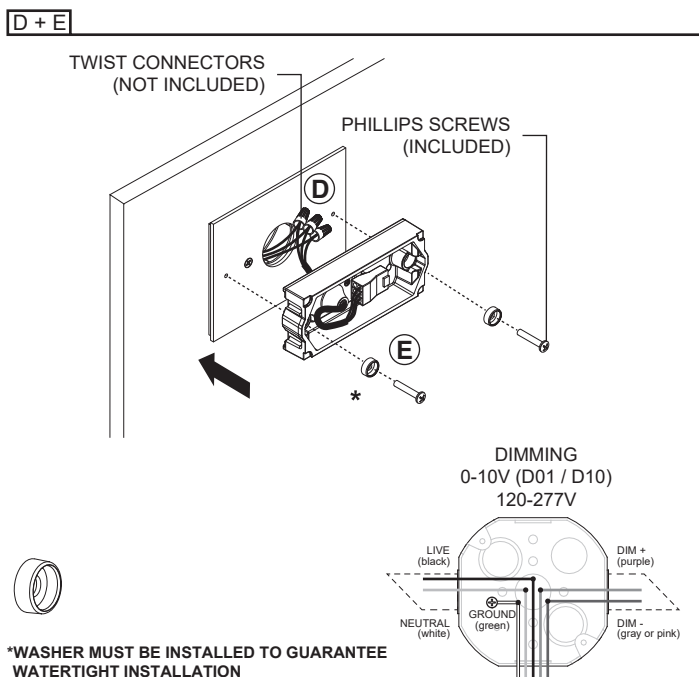
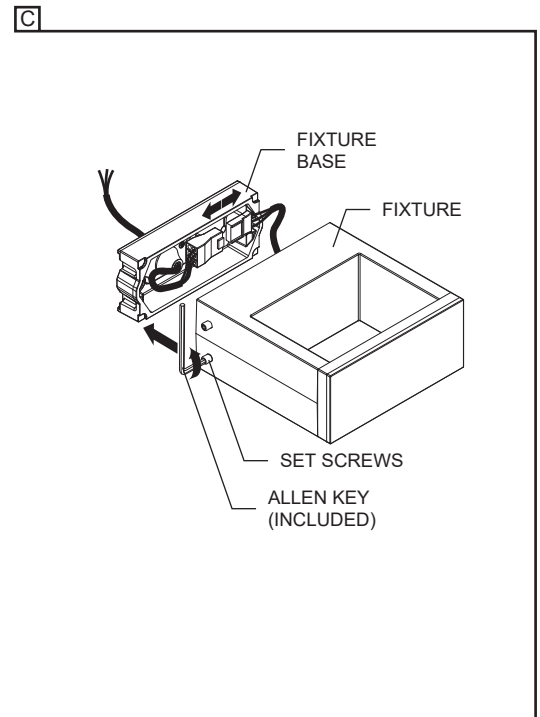
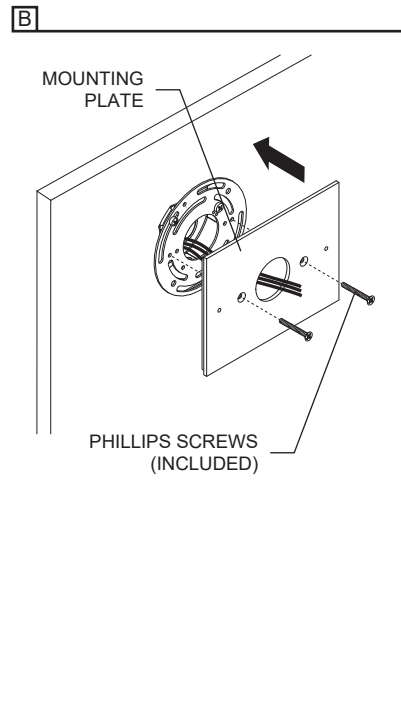
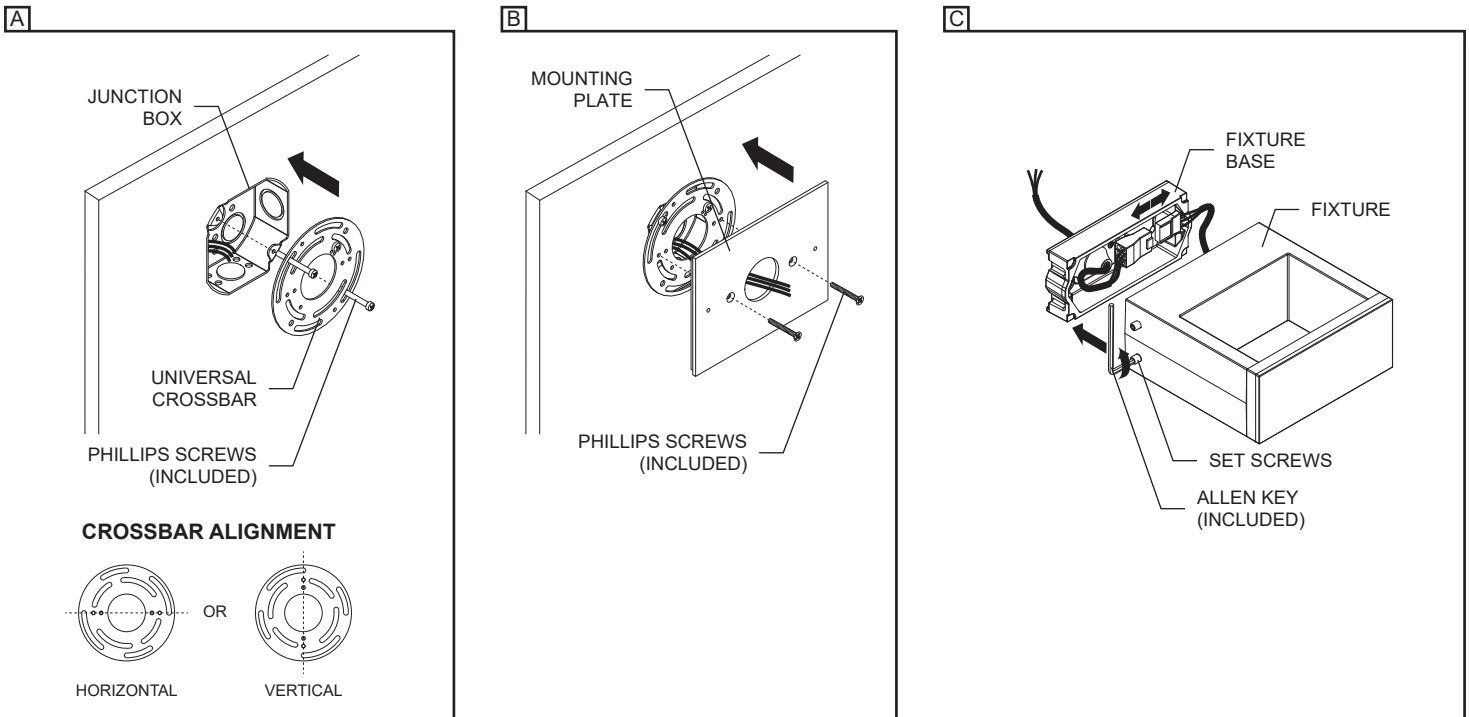
4" JUNCTION BOX INSTALLATION (JB) - LOW VOLTAGE (24V) REMOTE DRIVER (REM)

- A- FIX THE UNIVERSAL CROSSBAR TO THE 4" JUNCTION BOX USING (2) PHILLIPS SCREWS (INCLUDED).
MAKE SURE THE UNIVERSAL CROSSBAR IS PROPERLY ALIGNED.
- B- INSTALL THE MOUNTING PLATE ON THE UNIVERSAL CROSSBAR USING (2) PHILLIPS SCREWS (INCLUDED).
- C- UNFASTEN THE SET SCREWS WITH AN ALLEN KEY (INCLUDED) TO REMOVE THE FIXTURE FROM THE BASE.
DO NOT COMPLETELY REMOVE THE SET SCREWS.
- D- MAKE WIRE CONNECTIONS (FOLLOWING POLARITY MARKING) USING TWIST CONNECTORS (NOT INCLUDED)
- E- USING (2) PHILLIPS SCREWS AND WASHERS (INCLUDED), INSTALL THE FIXTURE BASE TO THE MOUNTING PLATE.
*TO GUARANTEE A WATERTIGHT INSTALLATION, MAKE SURE TO INSERT THE WASHERS (SEE BELOW).
- F- FASTEN THE FIXTURE ON ITS BASE WITH THE SET SCREWS WITH AN ALLEN KEY (INCLUDED).



4" JUNCTION BOX INSTALLATION (JB) - INTEGRAL DRIVER 120-277V (UNV)

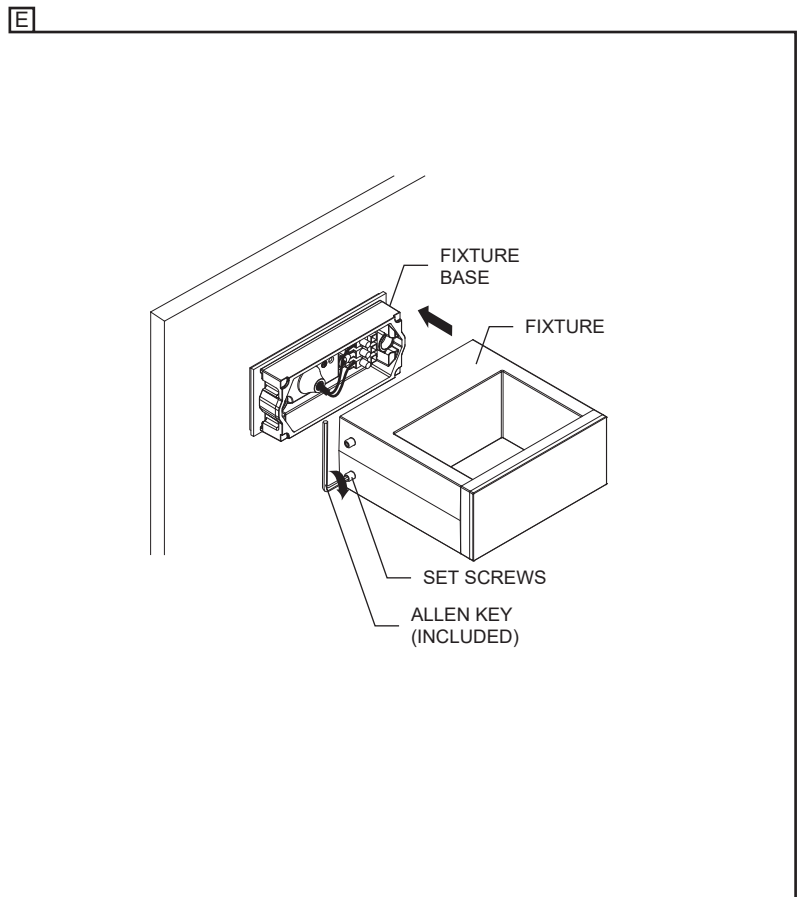
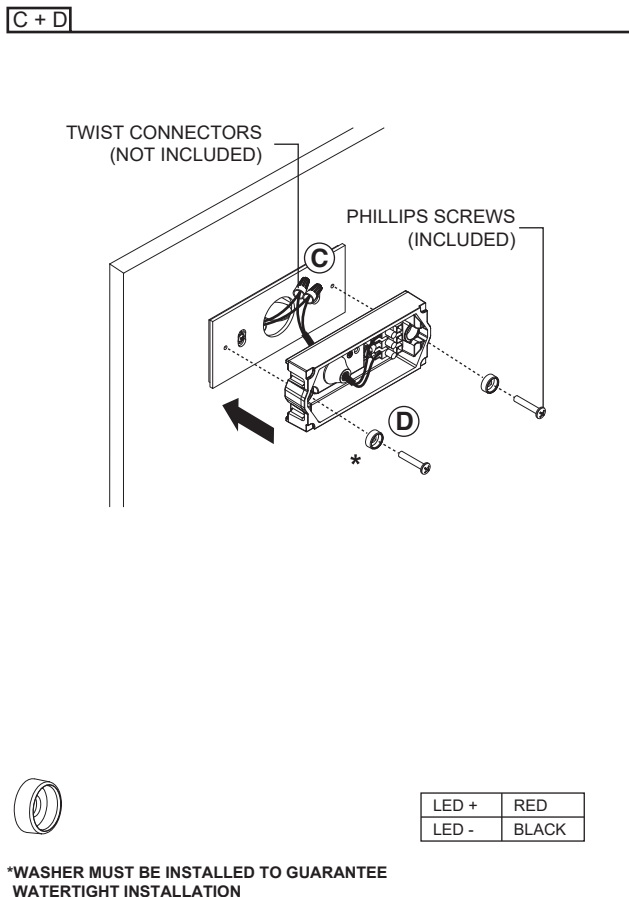
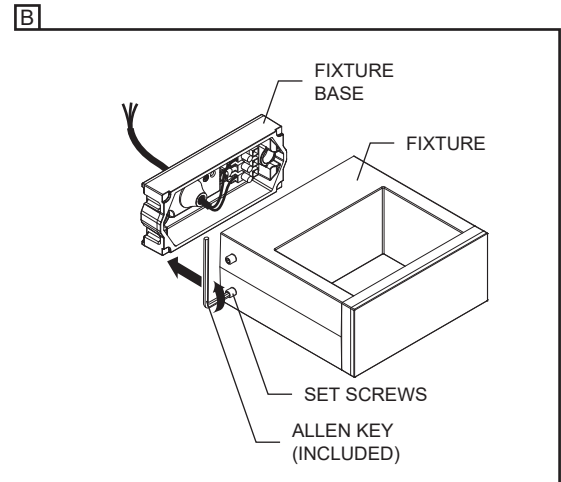
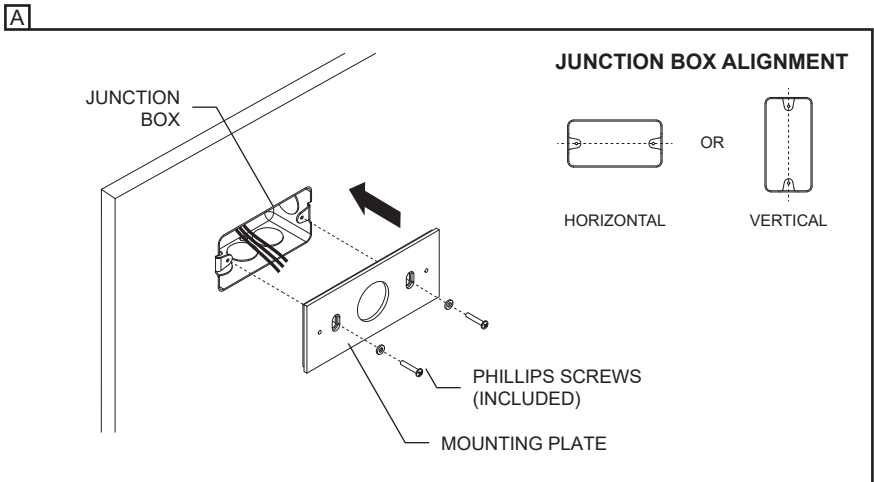
- A- FIX THE UNIVERSAL CROSSBAR TO THE 4" JUNCTION BOX USING (2) PHILLIPS SCREWS (INCLUDED).
MAKE SURE THE UNIVERSAL CROSSBAR IS PROPERLY ALIGNED.
- B- INSTALL THE MOUNTING PLATE ON THE UNIVERSAL CROSSBAR USING (2) PHILLIPS SCREWS (INCLUDED).
- C- UNFASTEN THE SET SCREWS WITH AN ALLEN KEY (INCLUDED) AND DISCONNECT THE QUICK CONNECTOR TO REMOVE THE FIXTURE FROM THE BASE. DO NOT COMPLETELY REMOVE THE SET SCREWS.
- D- MAKE WIRE CONNECTIONS (FOLLOWING POLARITY MARKING) USING TWIST CONNECTORS (NOT INCLUDED)
- E- USING (2) PHILLIPS SCREWS AND WASHERS (INCLUDED), INSTALL THE FIXTURE BASE TO THE MOUNTING PLATE.
*TO GUARANTEE A WATERTIGHT INSTALLATION, MAKE SURE TO INSERT THE WASHERS (SEE BELOW).
- F- RECONNECT THE QUICK CONNECTOR.
- G- FASTEN THE FIXTURE ON ITS BASE WITH THE SET SCREWS WITH AN ALLEN KEY (INCLUDED).



⚠ DISCONNECT THE MAIN LINE BEFORE WIRING SECONDARY CONNECTORS.

2" JUNCTION BOX INSTALLATION (J2) - LOW VOLTAGE (24V) REMOTE DRIVER (REM)

- A- INSTALL THE MOUNTING PLATE ON THE 2" JUNCTION BOX USING (2) PHILLIPS SCREWS (INCLUDED). MAKE SURE THE JUNCTION BOX IS PROPERLY ALIGNED.
- B- UNFASTEN THE SET SCREWS WITH AN ALLEN KEY (INCLUDED) TO REMOVE THE FIXTURE FROM THE BASE. DO NOT COMPLETELY REMOVE THE SET SCREWS.
- C- MAKE WIRE CONNECTIONS (FOLLOWING POLARITY MARKING) USING TWIST CONNECTORS (NOT INCLUDED)
- D- USING (2) PHILLIPS SCREWS AND WASHERS (INCLUDED), INSTALL THE FIXTURE BASE TO THE MOUNTING PLATE.
*TO GUARANTEE A WATERTIGHT INSTALLATION, MAKE SURE TO INSERT THE WASHERS (SEE BELOW).
- E- FASTEN THE FIXTURE ON ITS BASE WITH THE SET SCREWS WITH AN ALLEN KEY (INCLUDED).



2" JUNCTION BOX INSTALLATION (J2) - INTEGRAL DRIVER 120-277V (UNV)

- A- INSTALL THE MOUNTING PLATE ON THE 2" JUNCTION BOX USING (2) PHILLIPS SCREWS (INCLUDED).
MAKE SURE THE JUNCTION BOX IS PROPERLY ALIGNED.
- B- UNFASTEN THE SET SCREWS WITH AN ALLEN KEY (INCLUDED) AND DISCONNECT THE QUICK CONNECTOR TO REMOVE THE FIXTURE FROM THE BASE. DO NOT COMPLETELY REMOVE THE SET SCREWS.
- C- MAKE WIRE CONNECTIONS (FOLLOWING POLARITY MARKING) USING TWIST CONNECTORS (NOT INCLUDED)
- D- USING (2) PHILLIPS SCREWS AND WASHERS (INCLUDED), INSTALL THE FIXTURE BASE TO THE MOUNTING PLATE.
*TO GUARANTEE A WATERTIGHT INSTALLATION, MAKE SURE TO INSERT THE WASHERS (SEE BELOW).
- E- RECONNECT THE QUICK CONNECTOR.
- F- FASTEN THE FIXTURE ON ITS BASE WITH THE SET SCREWS WITH AN ALLEN KEY (INCLUDED).

