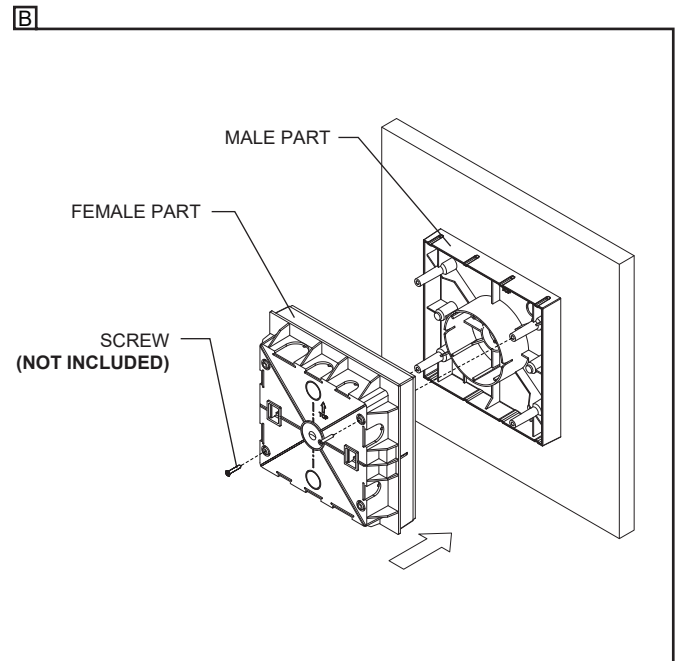
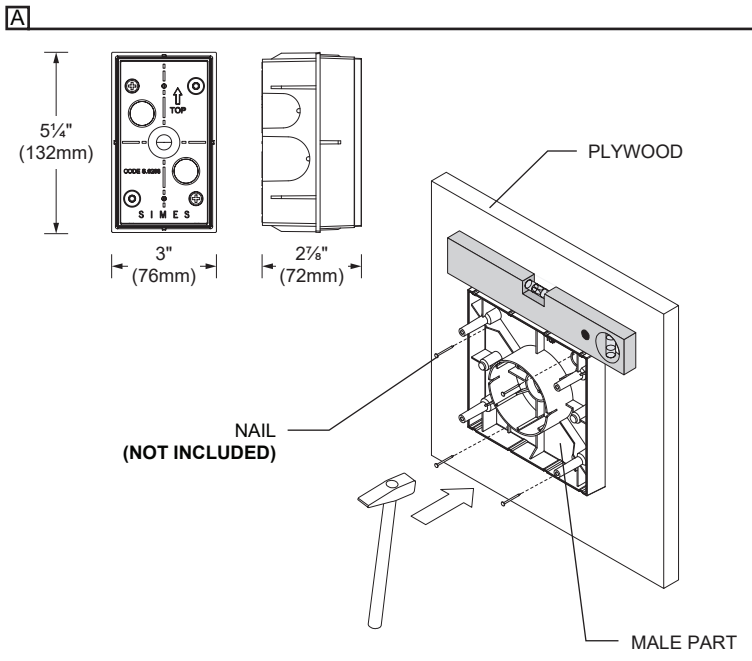


IMPORTANT - READ CAREFULLY BEFORE INSTALLING FIXTURE. RETAIN THESE INSTRUCTIONS FOR FUTURE REFERENCE. THIS PRODUCT MUST BE INSTALLED IN ACCORDANCE WITH THE NATIONAL ELECTRICAL CODE AND ALL APPLICABLE LOCAL CODES, BY A PERSON FAMILIAR WITH THE CONSTRUCTION AND OPERATION OF THE PRODUCT, AND THE HAZARDS INVOLVED. PROPER GROUNDING IS REQUIRED FOR SAFETY.

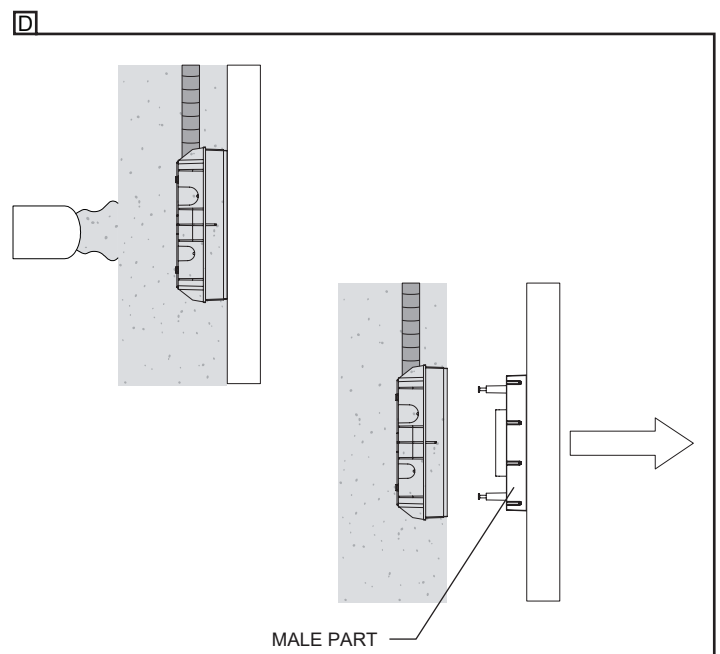
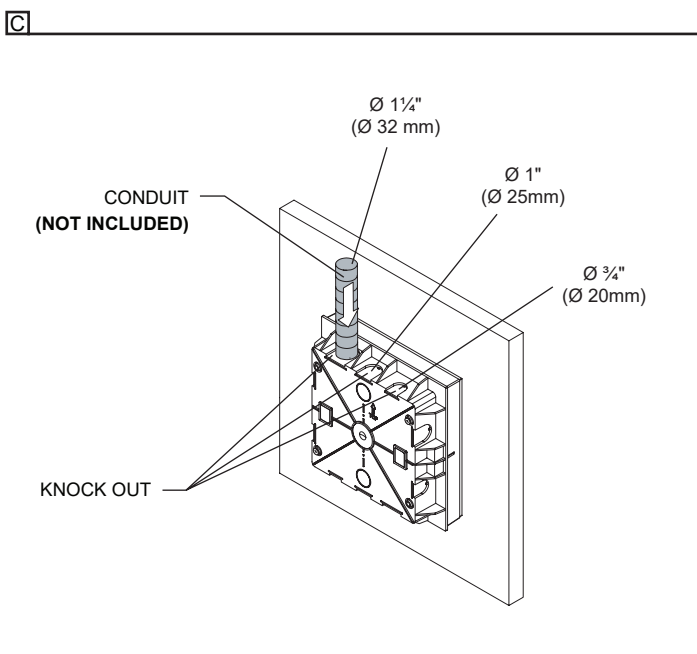
⚠ DISCONNECT THE MAIN LINE BEFORE WIRING SECONDARY CONNECTORS.

FLUSH MOUNT RECESSED INSTALLATION (WITH BACKBOX S.6239) TO REMOTE DRIVER (24V INPUT)

- A- USE NAILS (NOT INCLUDED) TO INSTALL THE MALE PART OF THE BACKBOX TO THE PLYWOOD.
- B- SCREW (NOT INCLUDED) TOGETHER MALE AND FEMALE PART OF THE BACKBOX.



- C- INSTALL CONDUIT (NOT INCLUDED) IN THE APPROPRIATE KNOCK OUT.
- D- POUR CONCRETE IN THE FORMWORK WHERE THE FIXTURE IS PLACED. WAIT FOR THE CONCRETE TO DRY. WHEN YOU REMOVE THE FORMWORK, THE MALE PART OF THE BACKBOX WILL COME OUT.



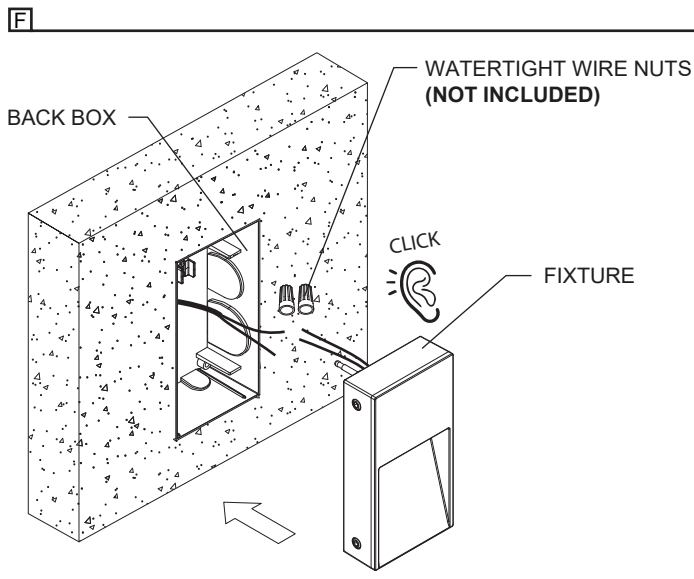
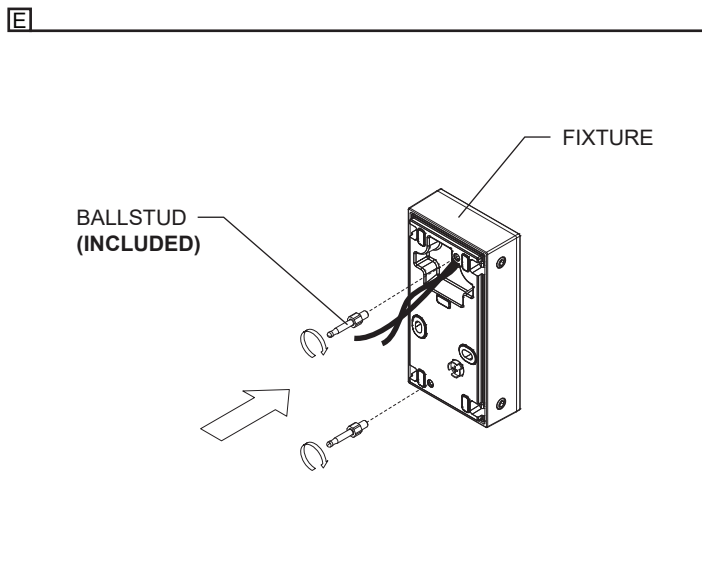
MINISKILL VERTICAL

MODEL : S6230 / S.L9230

E- INSTALL (2) BALLSTUD (INCLUDED) ON THE FIXTURE.

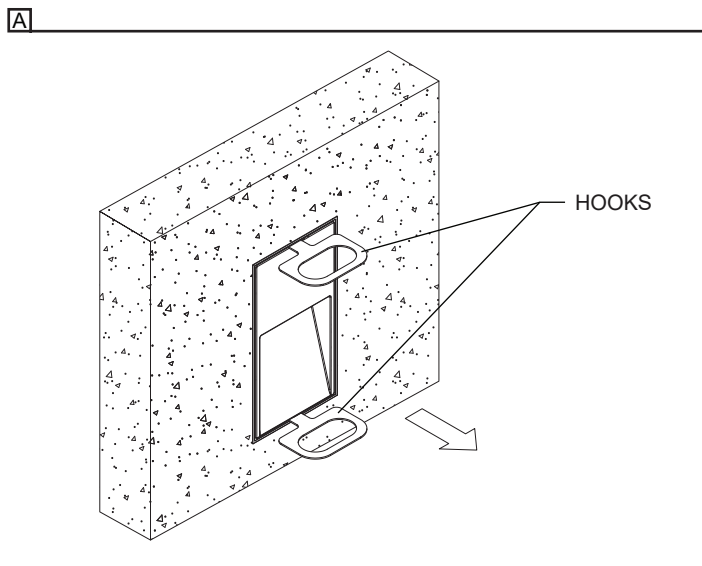
F- MAKE WIRE CONNECTION (FOLLOWING POLARITY MARKING) USING WATERTIGHT WIRE NUTS (NOT INCLUDED) AND PUSH THE FIXTURE IN THE BACK BOX UNTIL IT CLICK IN PLACE.

-	BLACK
+	RED



MAINTENANCE

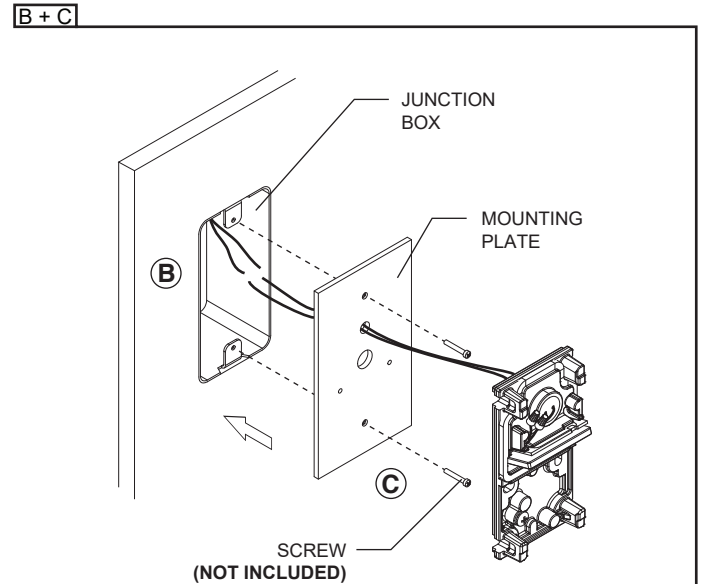
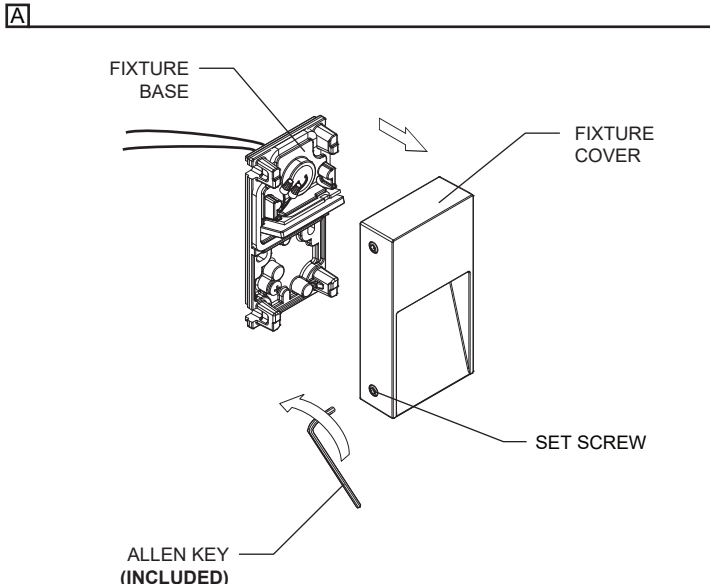
A- PLACE THE HOOKS ON EACH SIDE OF THE FIXTURE AND PULL TO LET IT OUT.



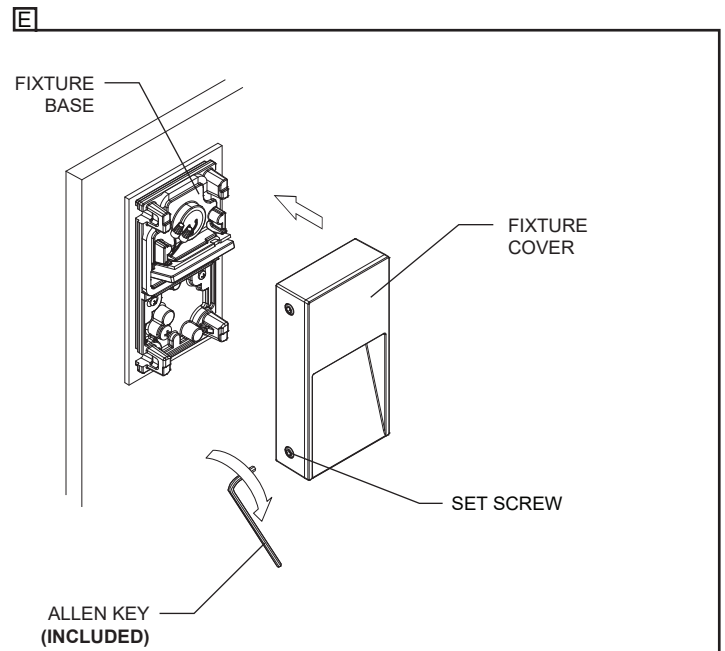
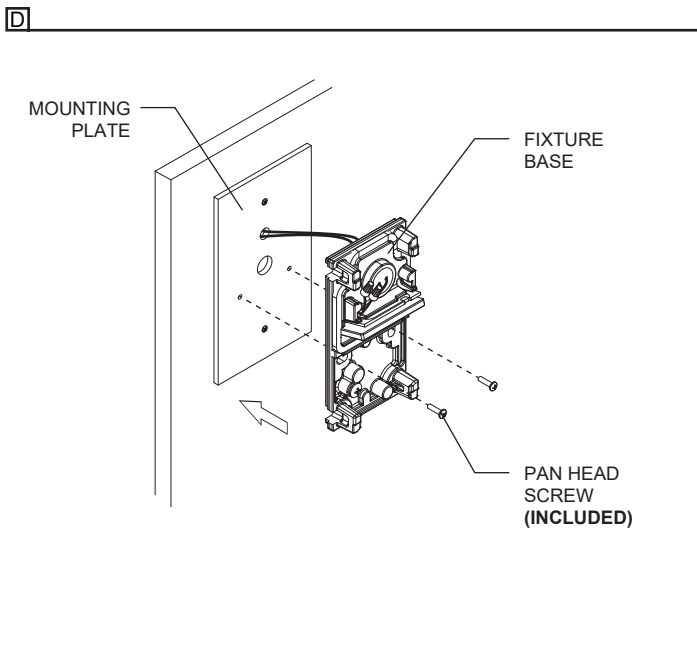
SURFACE INSTALLATION ON 2" JUNCTION BOX TO REMOTE DRIVER (24V INPUT)

- A- UNFASTEN THE SET SCREWS WITH THE ALLEN KEY (INCLUDED) TO REMOVE THE FIXTURE COVER FROM THE BASE. DO NOT COMPLETELY REMOVE SCREWS.
 B- MAKE WIRE CONNECTION (FOLLOWING POLARITY MARKING).
 C- INSTALL THE MOUNTING PLATE ON THE JUNCTION BOX USING (2) SCREWS (NOT INCLUDED).

-	BLACK
+	RED



- D- SCREW THE FIXTURE BASE TO THE MOUNTING PLATE USING PAN HEAD SCREWS (INCLUDED).
 E- FASTEN THE FIXTURE COVER ON ITS BASE WITH THE SET SCREWS USING THE ALLEN KEY (INCLUDED).

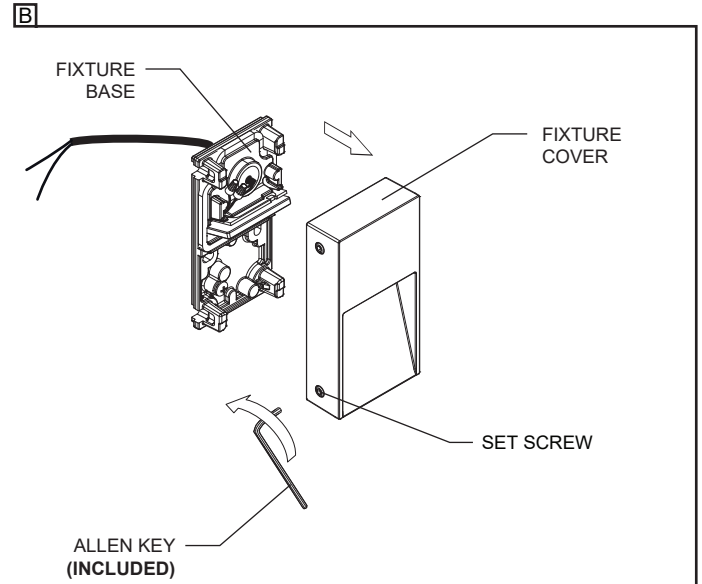
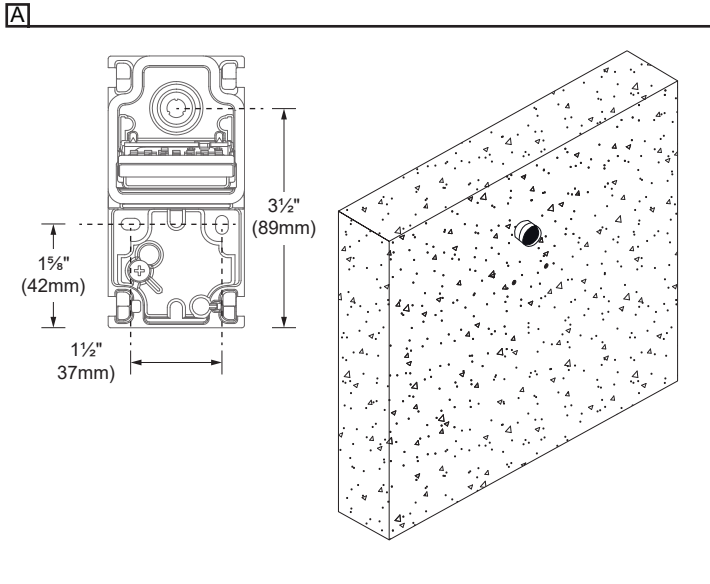


SURFACE INSTALLATION WITH FIXTURE WHIP TO REMOTE DRIVER (24V INPUT)

A- PREPARE SURFACE FOR INSTALLATION USING DIMENSIONS BELOW.

B- UNFASTEN THE SET SCREWS WITH THE ALLEN KEY (INCLUDED) TO REMOVE THE FIXTURE COVER FROM THE BASE. DO NOT COMPLETELY REMOVE SCREWS.

-	BLACK
+	RED



C- MAKE WIRE CONNECTION (FOLLOWING POLARITY MARKING).

D- INSTALL THE FIXTURE BASE TO THE WALL USING APPROPRIATE SCREWS (NOT INCLUDED).

E- FASTEN THE FIXTURE COVER ON ITS BASE WITH THE SET SCREWS USING THE ALLEN KEY (INCLUDED).

