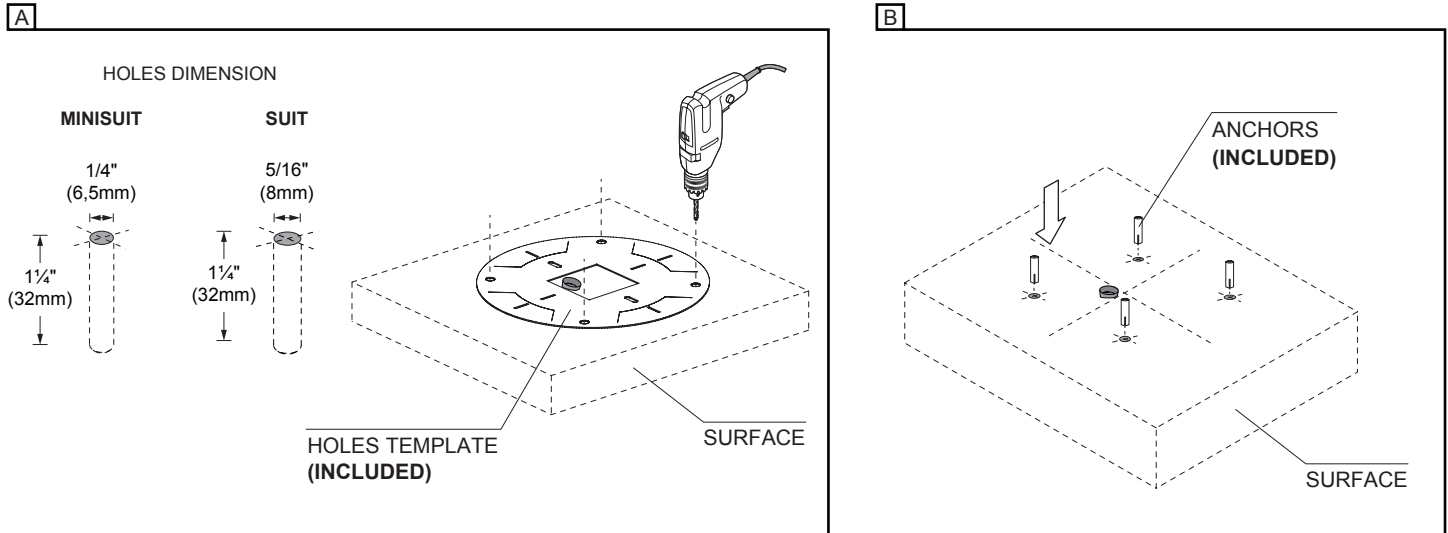


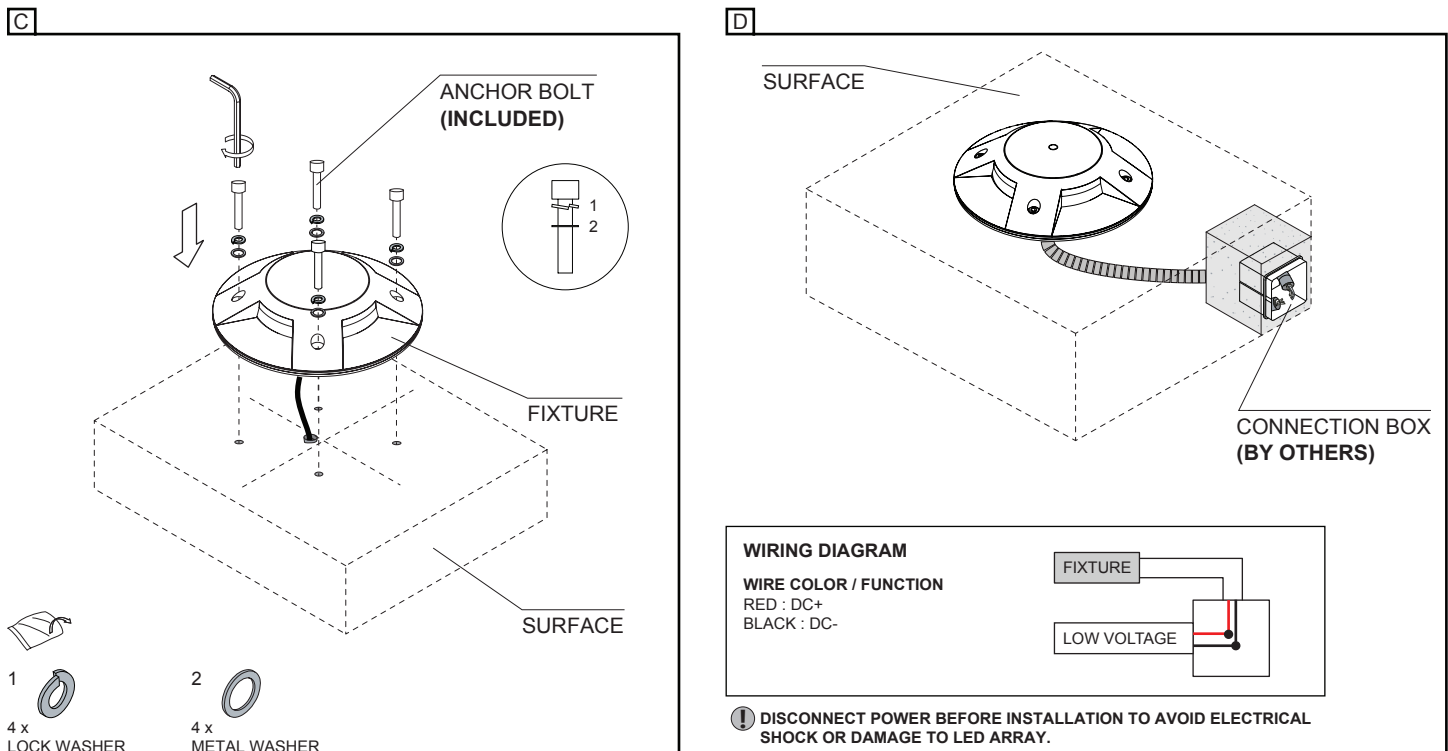
IMPORTANT - READ CAREFULLY BEFORE INSTALLING FIXTURE. RETAIN THESE INSTRUCTIONS FOR FUTURE REFERENCE. THIS PRODUCT MUST BE INSTALLED IN ACCORDANCE WITH THE NATIONAL ELECTRICAL CODE AND ALL APPLICABLE LOCAL CODES, BY A PERSON FAMILIAR WITH THE CONSTRUCTION AND OPERATION OF THE PRODUCT, AND THE HAZARDS INVOLVED. PROPER GROUNDING IS REQUIRED FOR SAFETY.

WALK OVER INSTALLATION (WITHOUT FLANGE) MAX 2000lb - 1000kg

- A- PREPARE SURFACE FOR INSTALLATION USING HOLES TEMPLATE (INCLUDED).
- B- INSTALL (4) ANCHORS (INCLUDED) IN SURFACE.



- C- FASTEN FIXTURE TO SURFACE USING (4) ANCHOR BOLT (INCLUDED).
- D- MAKE ALL WIRE CONNECTIONS IN REMOTE CONNECTION BOX (SEE WIRING DIAGRAM BELOW).

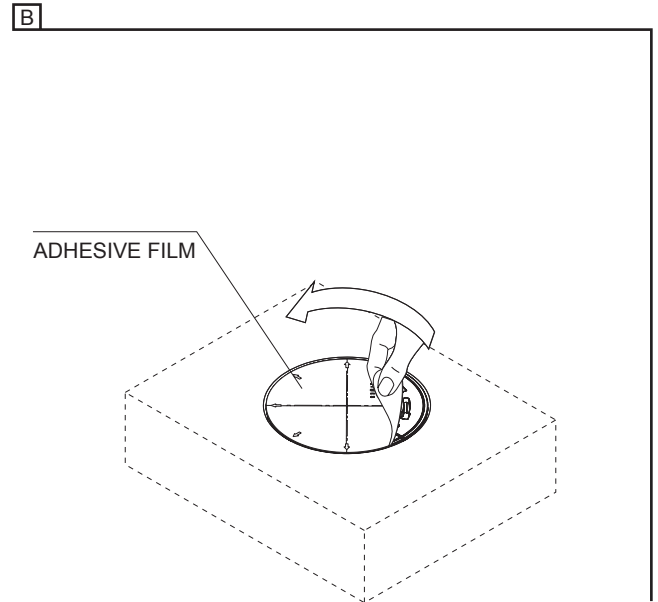
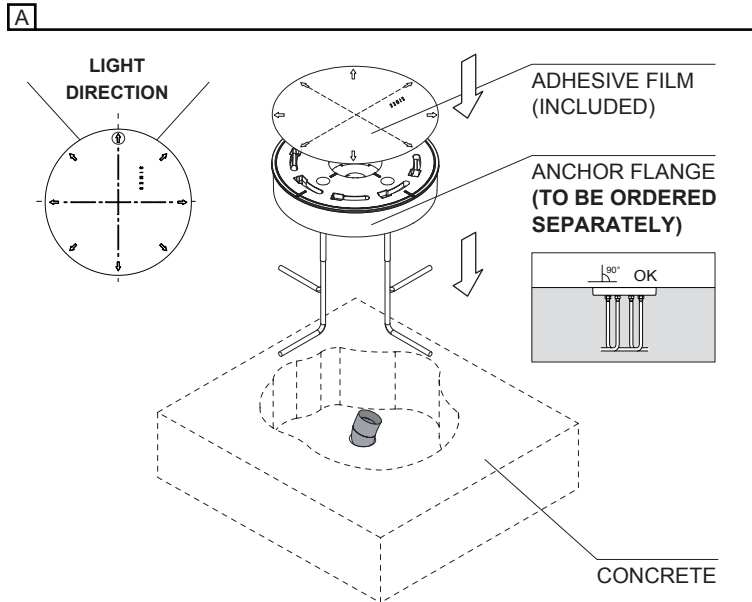


DRIVE OVER INSTALLATION (WITH ANCHOR FLANGE S.5699 OR S.5690) MAX 8000lb - 4000kg

A- APPLY ADHESIVE FILM (INCLUDED) TO THE ANCHOR FLANGE THEN PLACE IT IN THE CONCRETE.

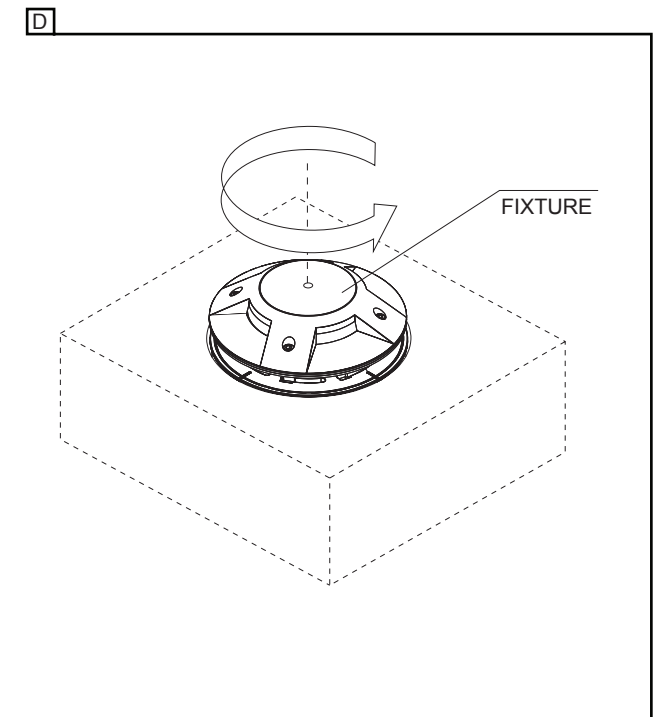
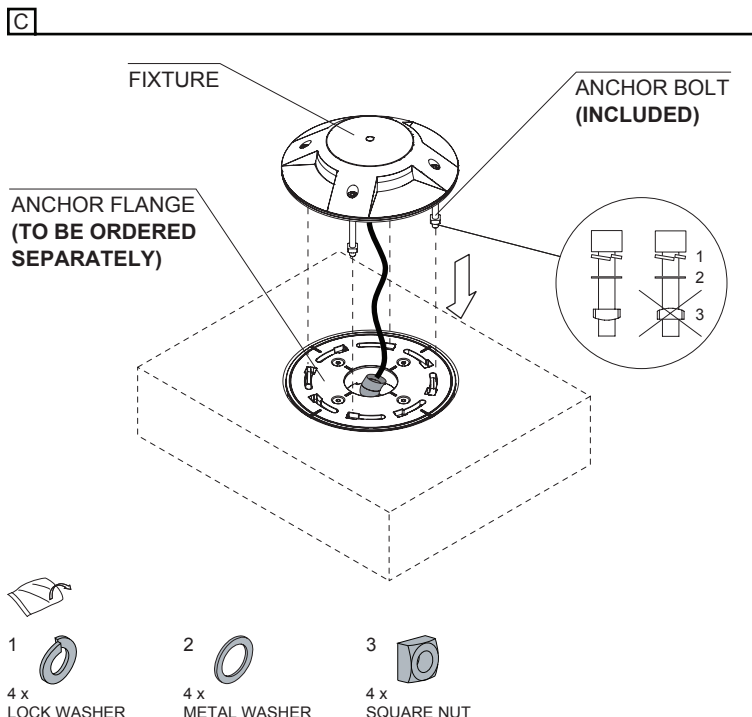
***USE ARROWS ON ADHESIVE FILM TO ALIGN LIGHT DIRECTION.**

B- ONCE THE CONCRETE IS POURED REMOVE ADHESIVE FILM.



C- INSERT THE ANCHOR BOLT IN THE FIXTURE HOLES AND FASTEN HARDWARE (INCLUDED) AS SHOWN BELOW, PASS THE 20' (6m) CABLE THROUGH CONDUIT AND INSTALL FIXTURE ON THE ANCHOR FLANGE THROUGH KEYHOLES.

D- TURN COUNTERCLOCKWISE TO LOCK THE FIXTURE.



- E- FASTEN FIXTURE TO CONCRETE USING (4) ANCHOR BOLT (INCLUDED).
- F- MAKE ALL WIRE CONNECTIONS IN REMOTE CONNECTION BOX (SEE WIRING DIAGRAM BELOW).

