

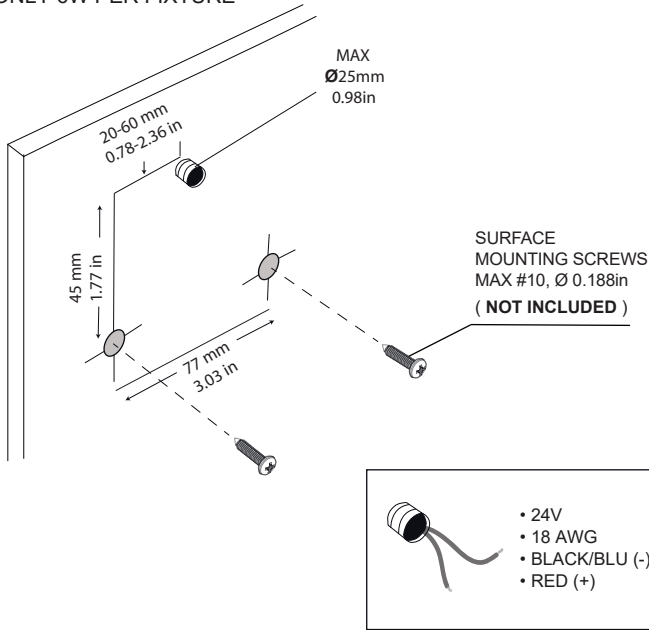
**INSTALLATION WITH DIRECT FEED - REMOTE DRIVER (DF-REM)**

THIS PRODUCT MUST BE INSTALLED IN ACCORDANCE WITH THE APPLICABLE INSTALLATION CODE BY A PERSON FAMILIAR WITH THE CONSTRUCTION AND OPERATION OF THE PRODUCT AND THE HAZARDS INVOLVED.

**⚠ DISCONNECT THE MAIN LINE BEFORE WIRING SECONDARY CONNECTORS.**

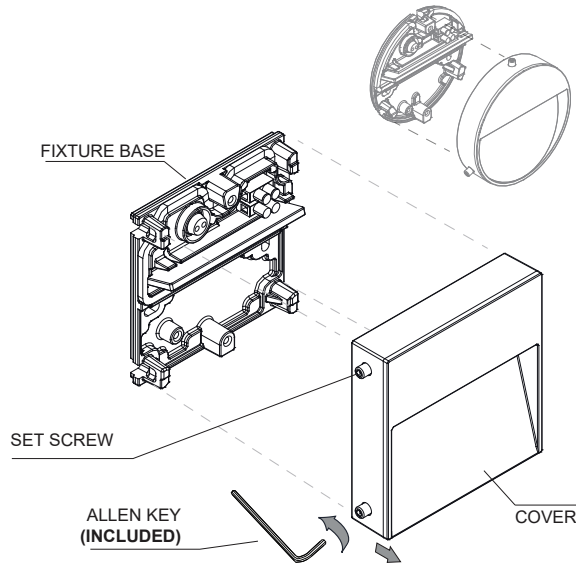
**PREPARATION**

- PREPARE SURFACE FOR INSTALLATION USING DIMENSIONS BELOW.
- FEED 18AWG (BLACK/BLU + RED) WIRES FROM A 24V SOURCE ONLY 6W PER FIXTURE



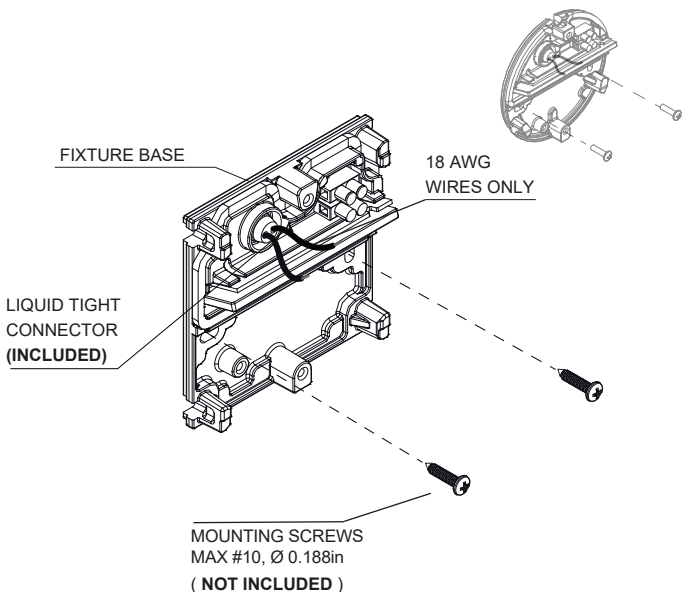
**STEP 1**

- UNSCREW THE FOUR SET SCREWS WITH ALLEN KEY (**INCLUDED**) TO REMOVE THE COVER FROM THE FIXTURE BASE. DO NOT COMPLETELY REMOVE SCREWS.



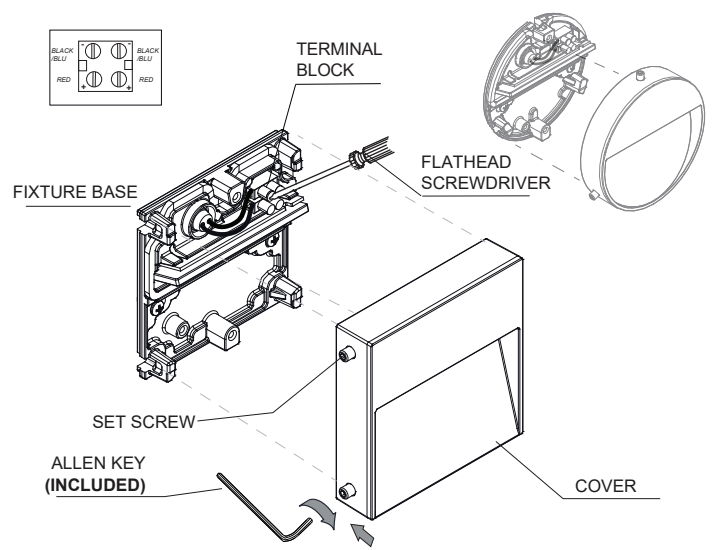
**STEP 2**

- FEED WIRES THROUGH LIQUID TIGHT CONNECTOR OF FIXTURE BASE
- INSTALL THE FIXTURE BASE WITH TWO MOUNTING SCREWS (**NOT INCLUDED**)



**STEP 3**

- MAKE ALL NECESSARY WIRE CONNECTIONS USING THE TERMINAL BLOCK ON FIXTURE AND A FLAT HEAD SCREWDRIVER
- INSTALL THE COVER, FIX IN PLACE WITH THE FOUR SET SCREWS USING THE ALLEN KEY (**INCLUDED**).



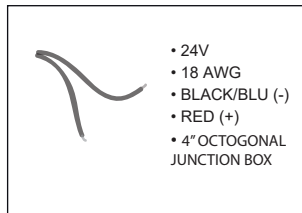
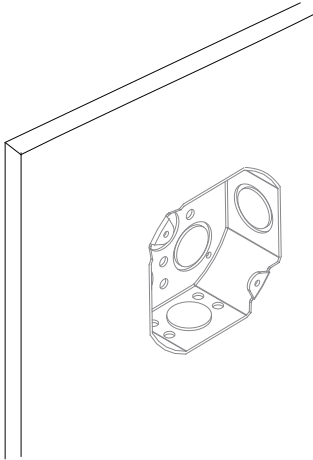
**INSTALLATION WITH 4" JUNCTION BOX - REMOTE DRIVER (JB-REM)**

THIS PRODUCT MUST BE INSTALLED IN ACCORDANCE WITH THE APPLICABLE INSTALLATION CODE BY A PERSON FAMILIAR WITH THE CONSTRUCTION AND OPERATION OF THE PRODUCT AND THE HAZARDS INVOLVED.

**⚠️ DISCONNECT THE MAIN LINE BEFORE WIRING SECONDARY CONNECTORS.**

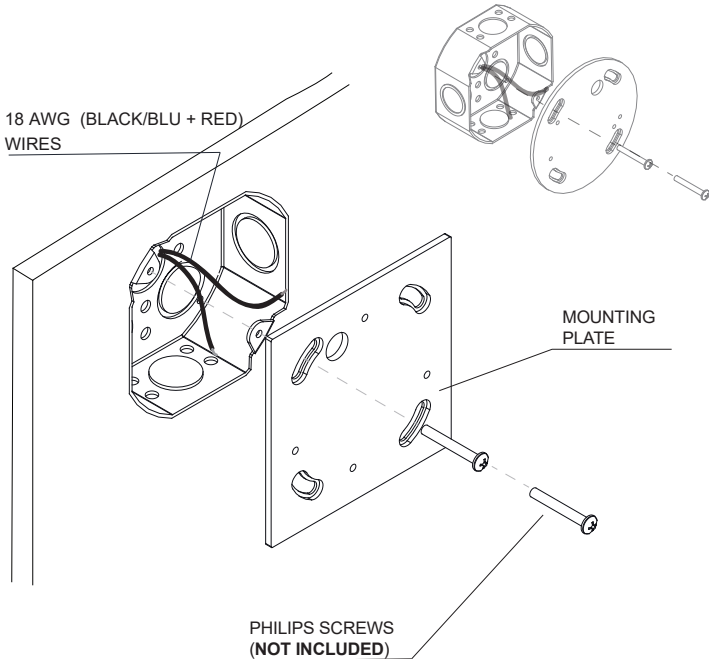
**PREPARATION**

- PREPARE SURFACE FOR INSTALLATION USING 4" OCTOGONAL JUNCTION BOX
- FEED 18AWG (BLACK/BLU + RED) WIRES FROM A 24V SOURCE ONLY 6W PER FIXTURE



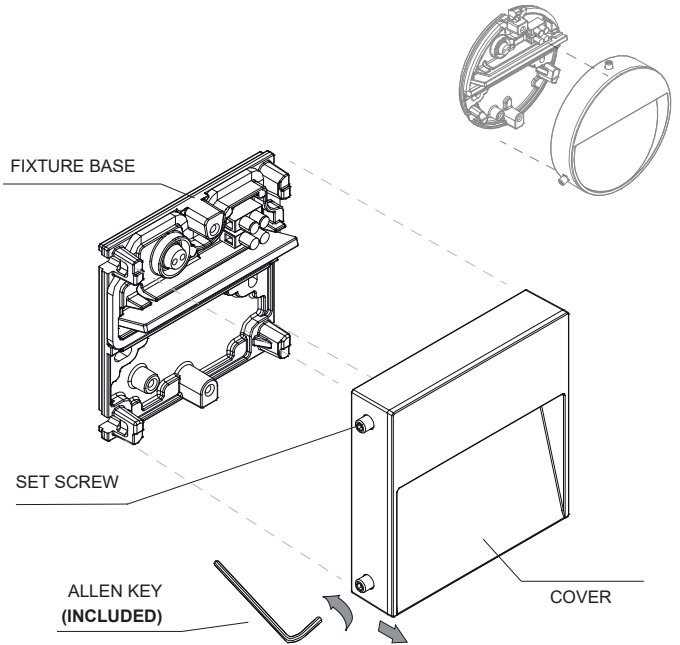
**STEP 2**

- INSTALL THE MOUNTING PLATE ON UNIVERSAL JUNCTION BOX USING THE TWO PHILIPS SCREW (NOT INCLUDED) AND PASS THE 18AWG WIRES THROUGH THE UPPER HOLE.



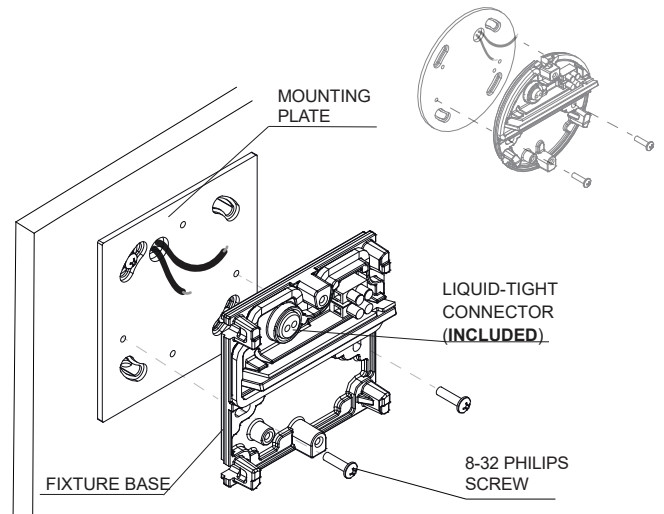
**STEP 1**

- UNSCREW THE FOUR SET SCREWS WITH ALLEN KEY (INCLUDED) TO REMOVE THE COVER FROM THE FIXTURE BASE. DO NOT COMPLETELY REMOVE SCREWS.



**STEP 3**

- FEED CABLE THROUGH LIQUID-TIGHT CONNECTOR
- INSTALL THE FIXTURE BASE ON MOUNTING PLATE USING THE TWO 8-32 HOLES ON PLATE.

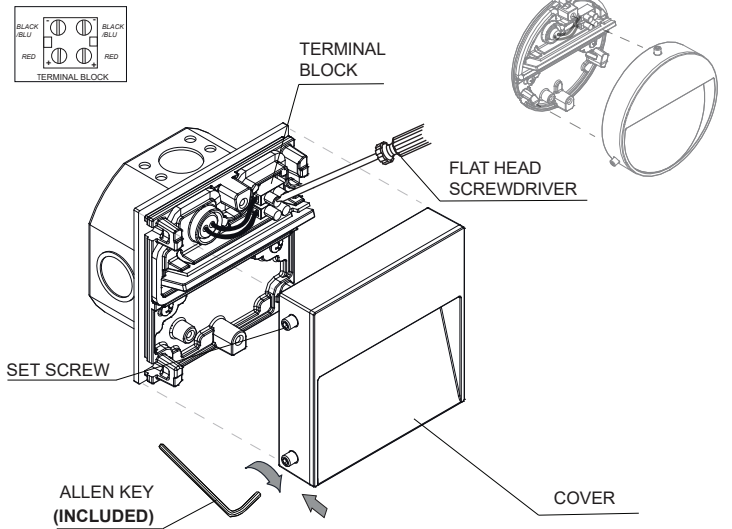


## INSTALLATION WITH 4" JUNCTION BOX - REMOTE DRIVER (JB-REM)

THIS PRODUCT MUST BE INSTALLED IN ACCORDANCE WITH THE APPLICABLE INSTALLATION CODE BY A PERSON FAMILIAR WITH THE CONSTRUCTION AND OPERATION OF THE PRODUCT AND THE HAZARDS INVOLVED.

### STEP 4

- MAKE ALL NECESSARY WIRE CONNECTIONS USING THE TERMINAL BLOCK ON FIXTURE AND A FLAT HEAD SCREWDRIVER
- INSTALL THE COVER, FIX IN PLACE WITH THE FOUR SET SCREWS USING THE ALLEN KEY (**INCLUDED**).

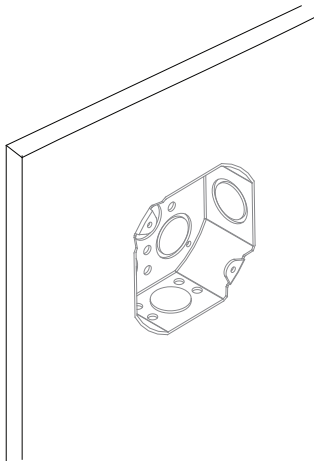


**INSTALLATION WITH 4" JUNCTION BOX - 120-277V (JB-UNV) DIMMING 0-10V**

THIS PRODUCT MUST BE INSTALLED IN ACCORDANCE WITH THE APPLICABLE INSTALLATION CODE BY A PERSON FAMILIAR WITH THE CONSTRUCTION AND OPERATION OF THE PRODUCT AND THE HAZARDS INVOLVED.

**PREPARATION**

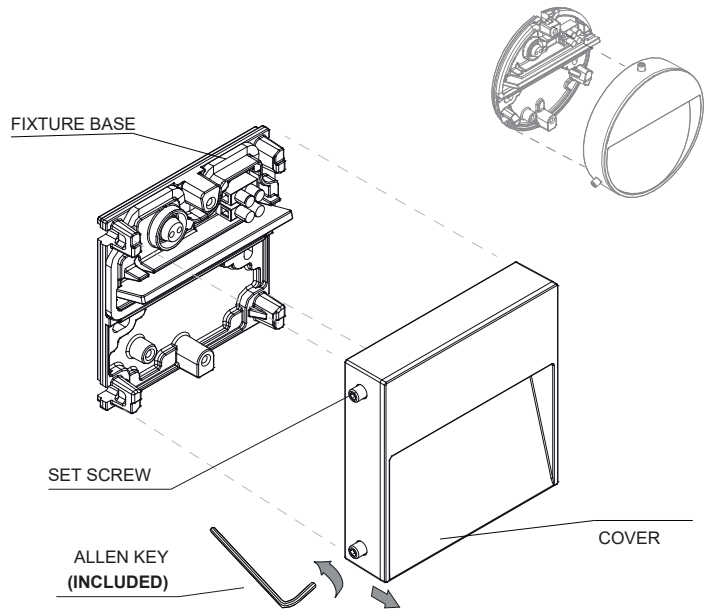
- PREPARE SURFACE FOR INSTALLATION USING 4" OCTOGONAL JUNCTION BOX
- FEED 14AWG WIRES FROM A 120V-277V SOURCE 6W PER FIXTURE



- 120V OR 277V
- 14 AWG
- LINE
- NEUTRAL
- GROUND
- 4" OCTOGONAL JUNCTION BOX

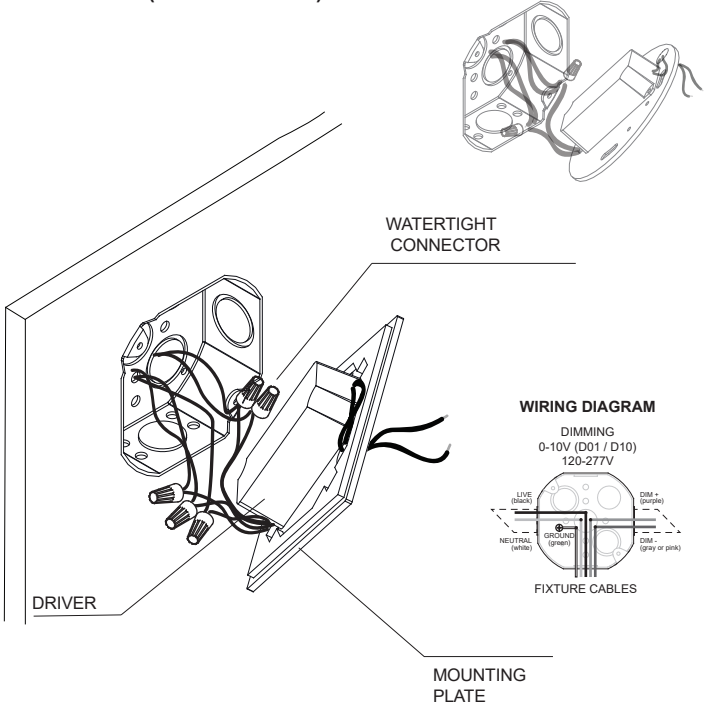
**STEP 1**

- UNSCREW THE FOUR SET SCREWS WITH ALLEN KEY (INCLUDED) TO REMOVE THE COVER FROM THE FIXTURE BASE. DO NOT COMPLETELY REMOVE SCREWS.



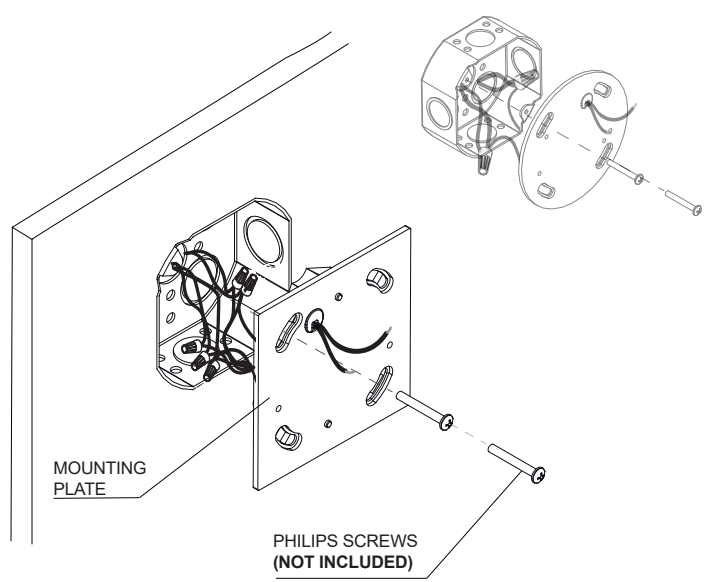
**STEP 2**

- MAKE ALL WIRE CONNECTIONS USING WATERTIGHT CONNECTOR (NOT INCLUDED)



**STEP 3**

- INSTALL THE MOUNTING PLATE ON UNIVERSAL JUNCTION BOX USING THE TWO PHILIPS SCREW (NOT INCLUDED)

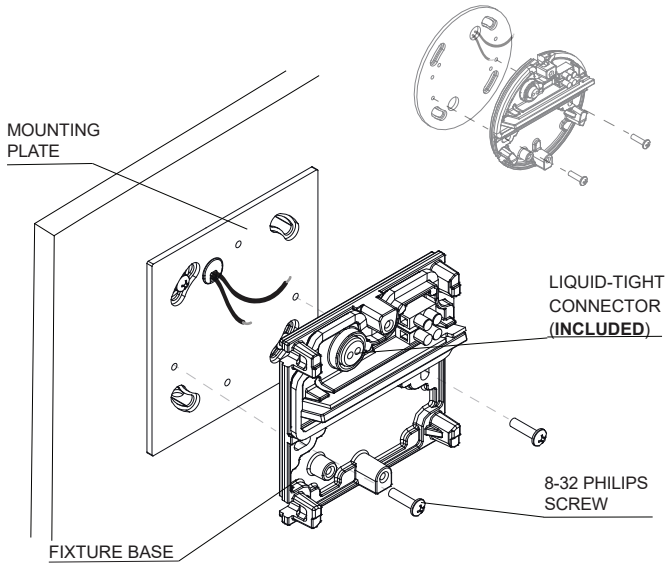


**INSTALLATION WITH 4" JUNCTION BOX - 120-277V (JB-UNV)**

THIS PRODUCT MUST BE INSTALLED IN ACCORDANCE WITH THE APPLICABLE INSTALLATION CODE BY A PERSON FAMILIAR WITH THE CONSTRUCTION AND OPERATION OF THE PRODUCT AND THE HAZARDS INVOLVED.

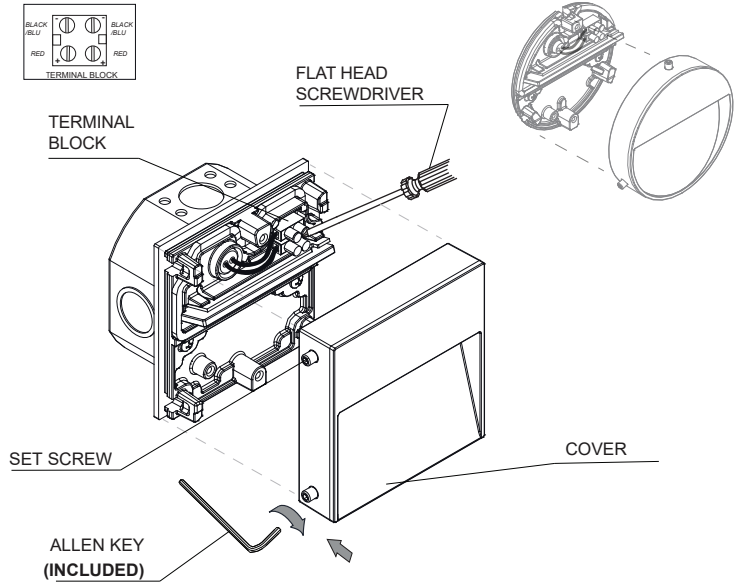
**STEP 4**

- FEED BLACK/BLU AND RED DRIVER WIRES THROUGH LIQUID-TIGHT CONNECTOR
- INSTALL THE FIXTURE BASE ON MOUNTING PLATE USING THE TWO 8-32 HOLES ON PLATE.



**STEP 5**

- MAKE ALL NECESSARY WIRE CONNECTIONS USING THE TERMINAL BLOCK ON FIXTURE AND A FLAT HEAD SCREWDRIVER
- INSTALL THE COVER, FIX IN PLACE WITH THE FOUR SET SCREWS USING THE ALLEN KEY ( INCLUDED ).



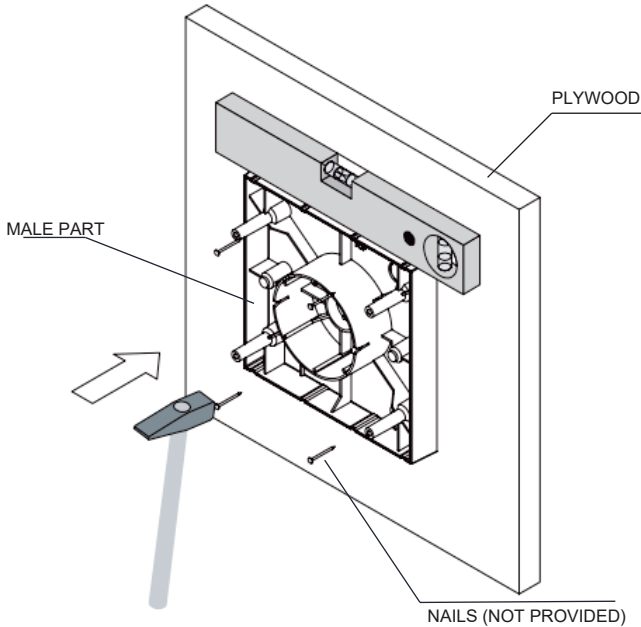
**INSTALLATION WITH FLUSH MOUNT- REMOTE DRIVER (FM-REM)**

THIS PRODUCT MUST BE INSTALLED IN ACCORDANCE WITH THE APPLICABLE INSTALLATION CODE BY A PERSON FAMILIAR WITH THE CONSTRUCTION AND OPERATION OF THE PRODUCT AND THE HAZARDS INVOLVED.

**⚠ DISCONNECT THE MAIN LINE BEFORE WIRING SECONDARY CONNECTORS.**

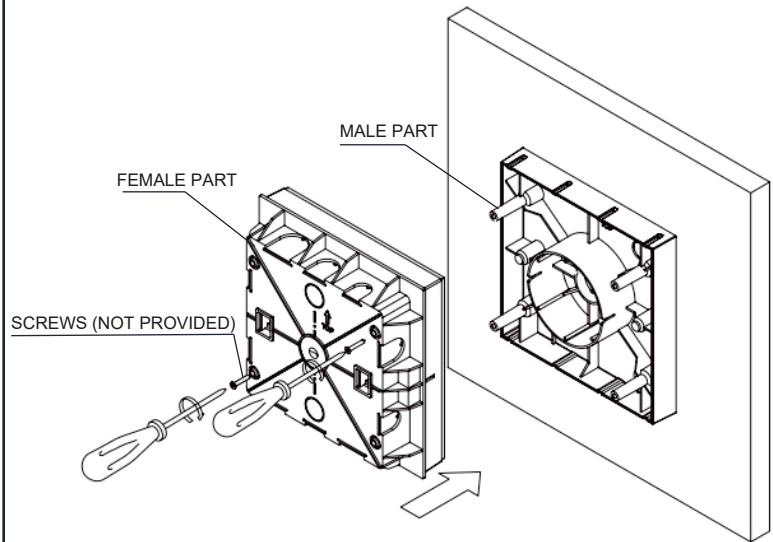
**STEP 1**

- USE NAILS TO INSTALL THE MALE PART OF THE BACKBOX TO THE PLYWOOD



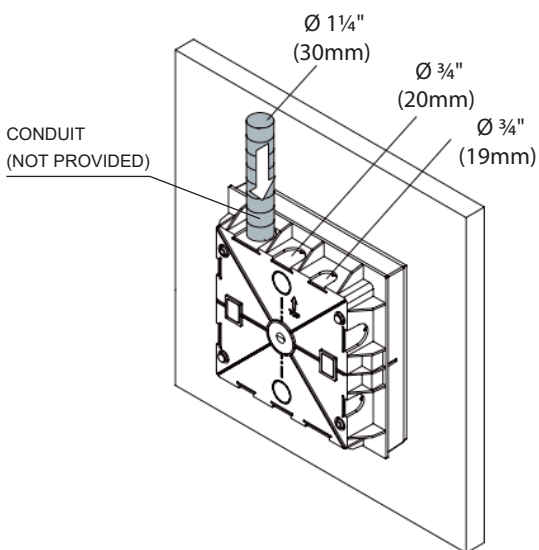
**STEP 2**

- SCREW TOGETHER MALE AND FEMALE PARTS OF THE BACKBOX



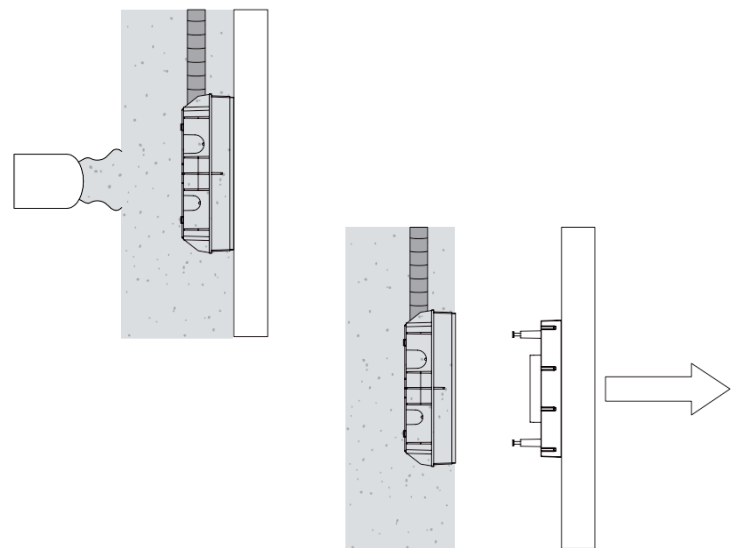
**STEP 3**

- INSTALL CONDUIT IN THE APPROPRIATE KNOCK OUT



**STEP 4**

- POUR CONCRETE IN THE FORMWORK WHERE THE FIXTURE IS PLACED. WAIT FOR THE CONCRETE TO DRY. WHEN YOU REMOVE THE FORMWORK, THE MALE PART OF THE BACKBOX WILL COME OUT.

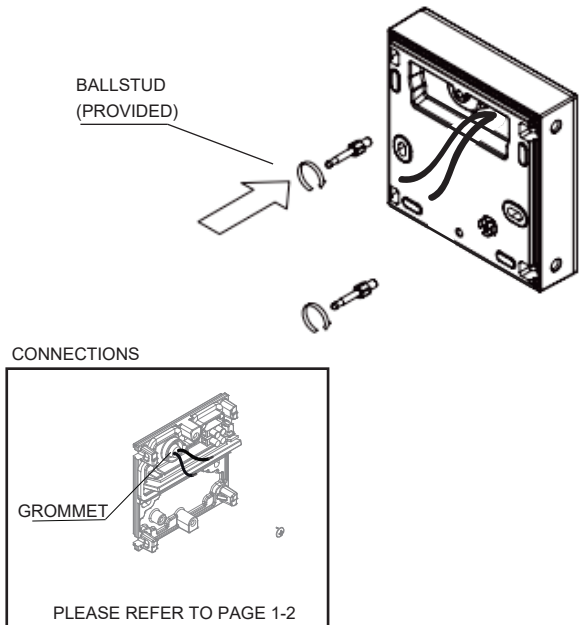


### INSTALLATION WITH FLUSH MOUNT- REMOTE DRIVER (FM-REM)

THIS PRODUCT MUST BE INSTALLED IN ACCORDANCE WITH THE APPLICABLE INSTALLATION CODE BY A PERSON FAMILIAR WITH THE CONSTRUCTION AND OPERATION OF THE PRODUCT AND THE HAZARDS INVOLVED.

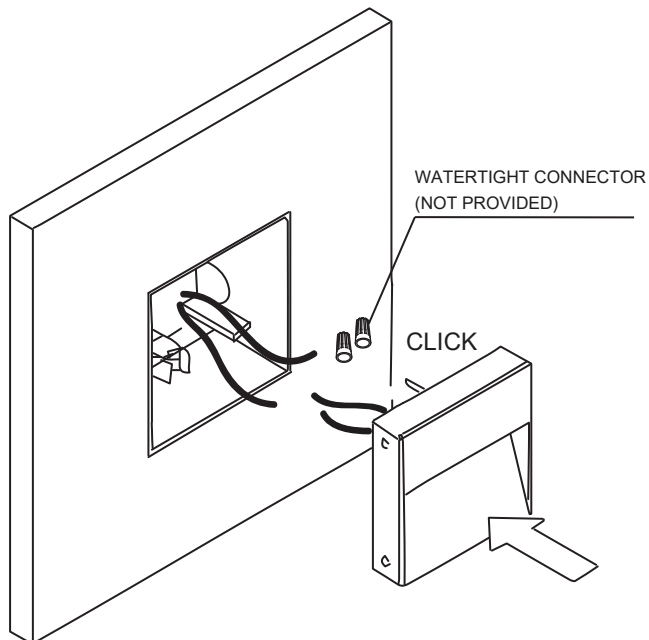
#### STEP 5

- FEED BLACK/BLU AND RED WIRES THROUGH LIQUID-TIGHT GROMMET AND INSTALL BALLSTUD ON THE SKILL



#### STEP 6

- PLACE THE FIXTURE IN THE BACK BOX AND MAKE SURE YOU HEAR A CLICK. USE WATERTIGHT CONNECTOR TO MAKE CONNECTION IF YOUR NOT USING A DIRECT FEED CONNECTION



#### MAINTENANCE

- PLACE THE HOOKS ON EACH SIDE OF THE FIXTURE AND PULL

