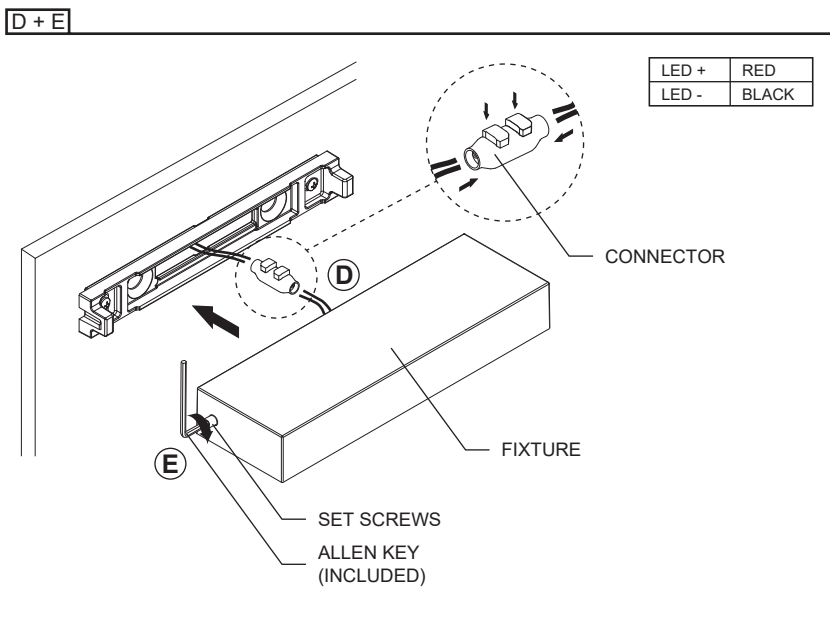
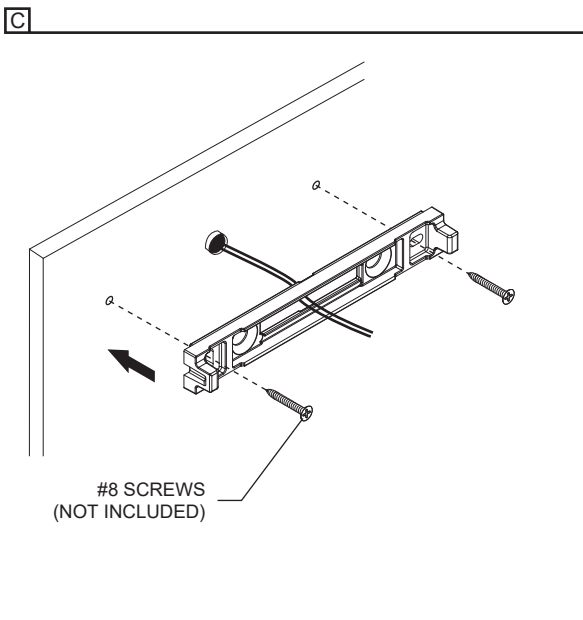
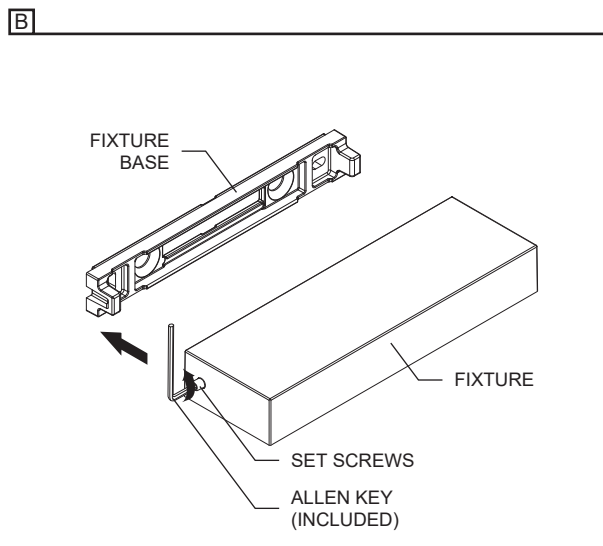
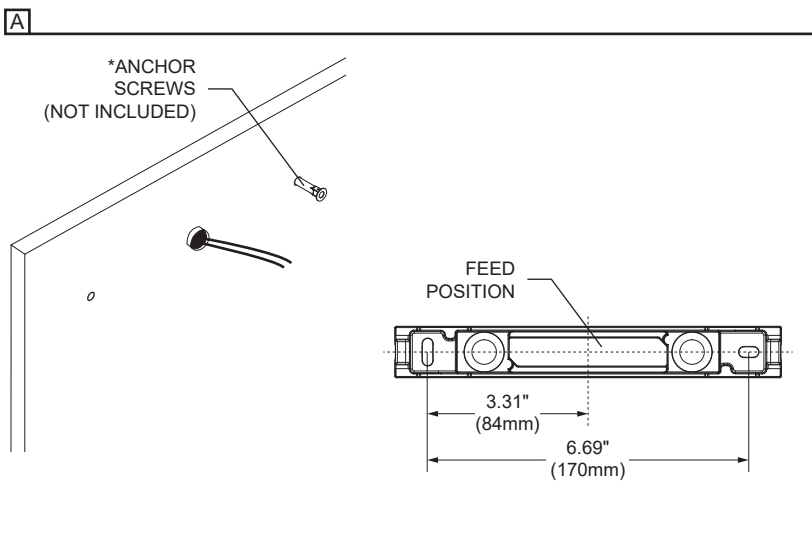


IMPORTANT - READ CAREFULLY BEFORE INSTALLING FIXTURE. RETAIN THESE INSTRUCTIONS FOR FUTURE REFERENCE.
THIS PRODUCT MUST BE INSTALLED IN ACCORDANCE WITH THE NATIONAL ELECTRICAL CODE AND ALL APPLICABLE LOCAL CODES, BY A PERSON FAMILIAR WITH THE CONSTRUCTION AND OPERATION OF THE PRODUCT, AND THE HAZARDS INVOLVED. PROPER GROUNDING IS REQUIRED FOR SAFETY.

⚠ DISCONNECT THE MAIN LINE BEFORE WIRING SECONDARY CONNECTORS.

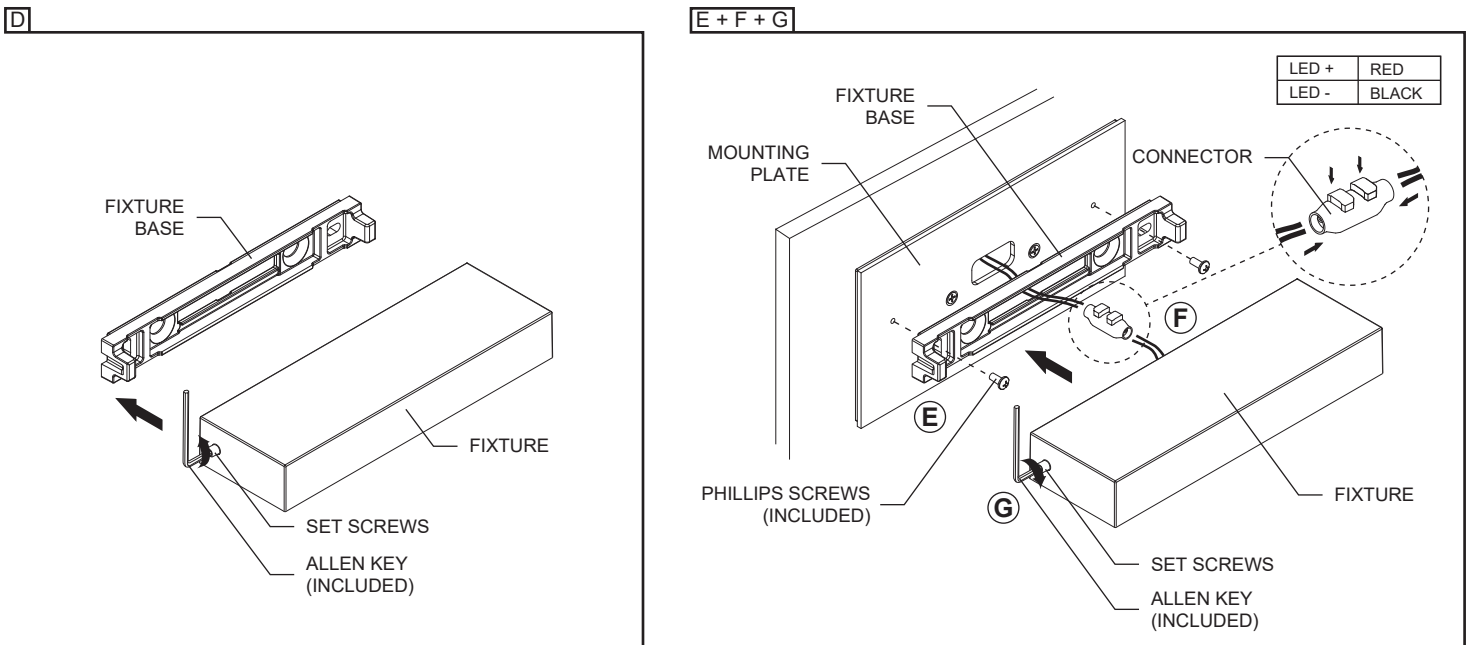
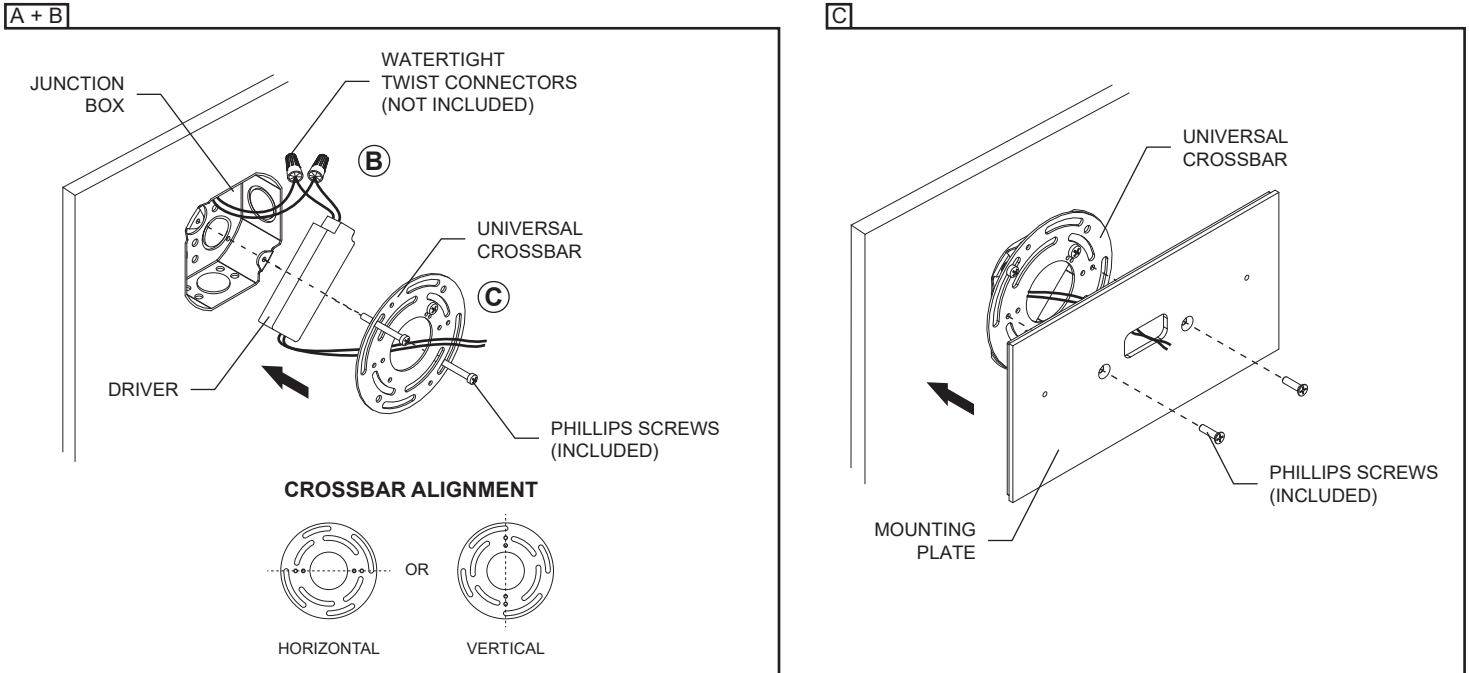
DIRECT FEED INSTALLATION (DF) - LOW VOLTAGE (24V) REMOTE DRIVER (REM)

- A- PREPARE SURFACE FOR INSTALLATION (**SEE DIMENSIONS BELOW**). *INSERT (2) ANCHOR SCREWS (**NOT INCLUDED**) IF NECESSARY.
- B- UNFASTEN THE SET SCREWS WITH AN ALLEN KEY (**INCLUDED**) TO REMOVE THE FIXTURE FROM THE BASE.
DO NOT COMPLETELY REMOVE THE SET SCREWS.
- C- INSTALL THE FIXTURE BASE TO THE WALL USING APPROPRIATE #8 SCREWS (**NOT INCLUDED**).
- D- MAKE WIRE CONNECTIONS USING THE CONNECTOR. BE SURE TO FULLY PRESS THE BUTTONS TO CONNECT.
- E- FASTEN THE FIXTURE BACK ON ITS BASE WITH THE SET SCREWS USING AN ALLEN KEY (**INCLUDED**).



4" JUNCTION BOX INSTALLATION (JB) - INTEGRAL DRIVER 120-277V (UNV)

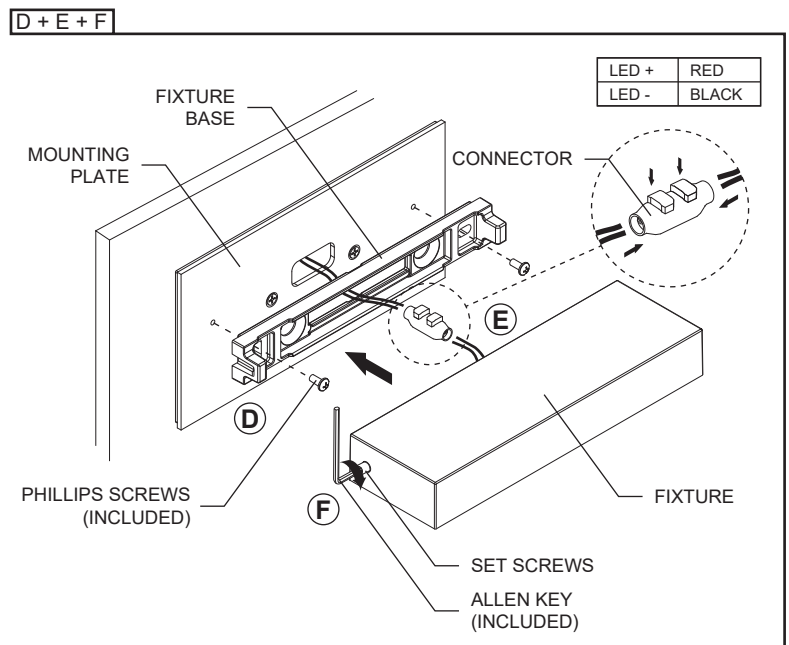
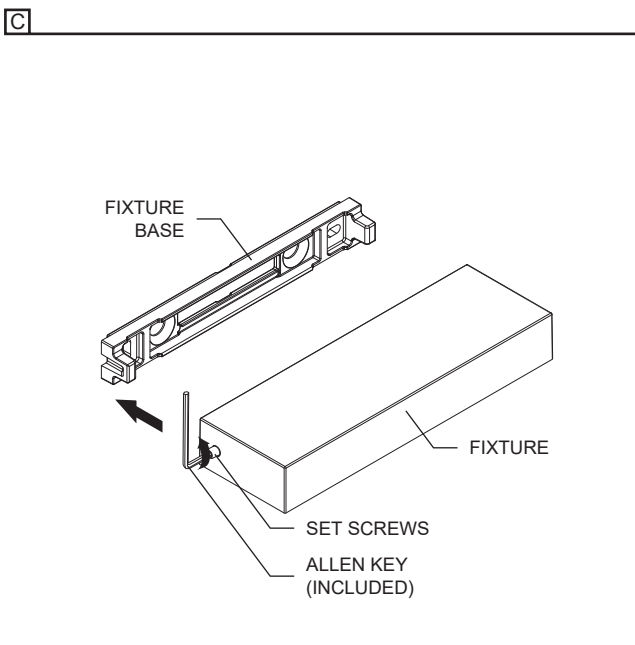
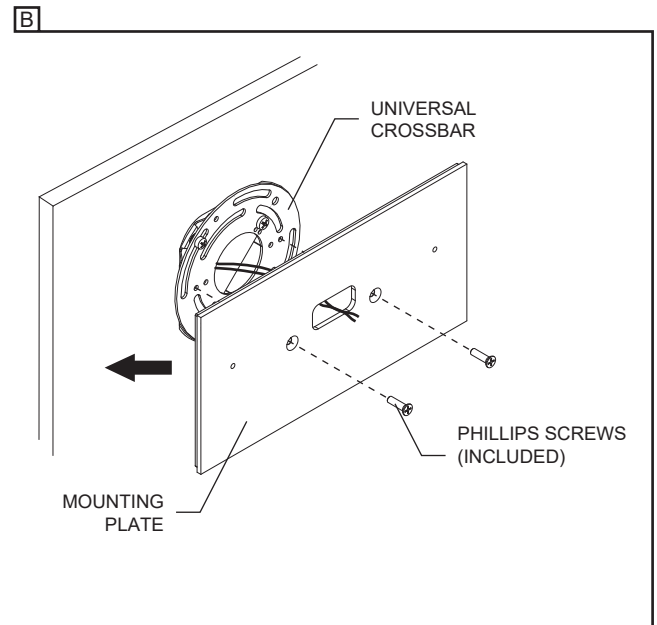
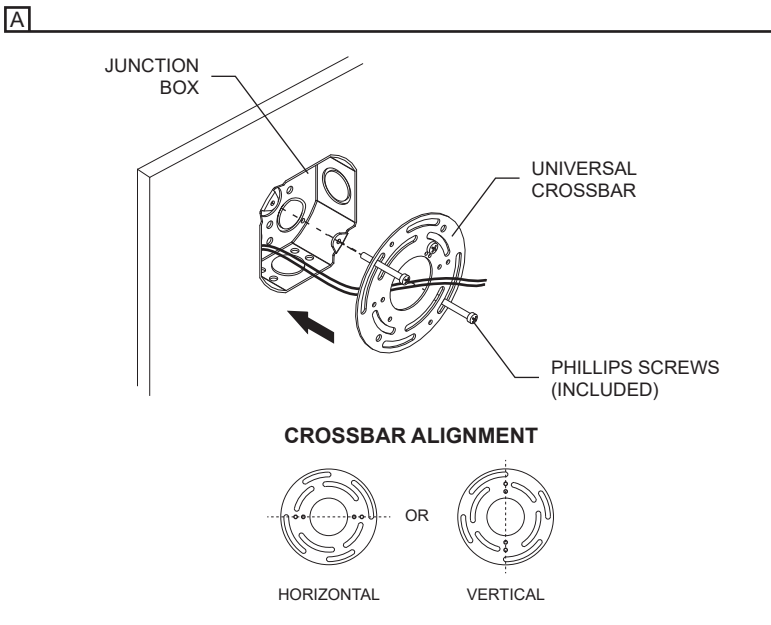
- A- MAKE WIRE CONNECTIONS (**FOLLOWING POLARITY MARKING**) USING WATERTIGHT TWIST CONNECTORS (**NOT INCLUDED**) AND INSERT THE DRIVER IN THE JUNCTION BOX. FOR PROPER FIXTURE ORIENTATION, SEE THE CROSSBAR ALIGNMENT BELOW.
- B- FIX THE UNIVERSAL CROSSBAR TO THE 4" JUNCTION BOX USING (2) PHILLIPS SCREWS (**INCLUDED**).
- C- INSTALL THE MOUNTING PLATE ON THE UNIVERSAL CROSSBAR USING (2) PHILLIPS SCREWS (**INCLUDED**).
- D- UNFASTEN (2) SET SCREWS WITH AN ALLEN KEY (**INCLUDED**) TO REMOVE THE BASE FROM THE FIXTURE.
DO NOT COMPLETELY REMOVE THE SCREWS.
- E- FASTEN THE FIXTURE BASE ON THE MOUNTING PLATE USING (2) PHILLIPS SCREWS (**INCLUDED**).
- F- MAKE WIRE CONNECTIONS USING THE CONNECTOR. BE SURE TO FULLY PRESS THE BUTTONS TO CONNECT.
- G- FASTEN THE FIXTURE BACK ON ITS BASE WITH THE SET SCREWS USING AN ALLEN KEY (**INCLUDED**).



⚠ DISCONNECT THE MAIN LINE BEFORE WIRING SECONDARY CONNECTORS.

4" JUNCTION BOX INSTALLATION (JB) - LOW VOLTAGE (24V) REMOTE DRIVER (REM)

- A- FIX THE UNIVERSAL CROSSBAR TO THE 4" JUNCTION BOX USING (2) PHILLIPS SCREWS (INCLUDED).
FOR PROPER FIXTURE ORIENTATION, SEE THE CROSSBAR ALIGNMENT BELOW.
- B- INSTALL THE MOUNTING PLATE ON THE UNIVERSAL CROSSBAR USING (2) PHILLIPS SCREWS (INCLUDED).
- C- UNFASTEN (2) SET SCREWS WITH AN ALLEN KEY (INCLUDED) TO REMOVE THE BASE FROM THE FIXTURE.
DO NOT COMPLETELY REMOVE THE SCREWS.
- D- FASTEN THE FIXTURE BASE ON THE MOUNTING PLATE USING (2) PHILLIPS SCREWS (INCLUDED).
- E- MAKE WIRE CONNECTIONS USING THE CONNECTOR. BE SURE TO FULLY PRESS THE BUTTONS TO CONNECT.
- F- FASTEN THE FIXTURE BACK ON ITS BASE WITH THE SET SCREWS USING AN ALLEN KEY (INCLUDED).



⚠ DISCONNECT THE MAIN LINE BEFORE WIRING SECONDARY CONNECTORS.

2" JUNCTION BOX INSTALLATION (J2) - LOW VOLTAGE (24V) REMOTE DRIVER (REM)

- A- INSTALL THE MOUNTING PLATE ON THE 2" JUNCTION BOX USING (2) PHILLIPS SCREWS (INCLUDED).
- B- UNFASTEN THE (2) SET SCREWS WITH AN ALLEN KEY (INCLUDED) TO REMOVE THE BASE FROM THE FIXTURE. DO NOT COMPLETELY REMOVE THE SCREWS.
- C- FASTEN THE FIXTURE BASE ON THE MOUNTING PLATE USING (2) PHILLIPS SCREWS (INCLUDED).
- D- MAKE WIRE CONNECTIONS USING THE CONNECTOR. BE SURE TO FULLY PRESS THE BUTTONS TO CONNECT.
- E- FASTEN THE FIXTURE BACK ON ITS BASE WITH THE SET SCREWS USING AN ALLEN KEY (INCLUDED).

