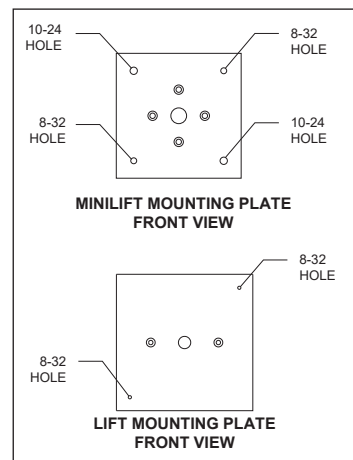
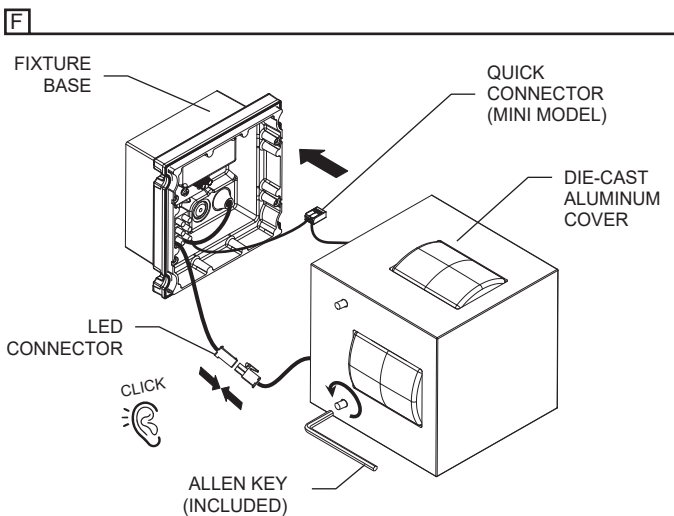
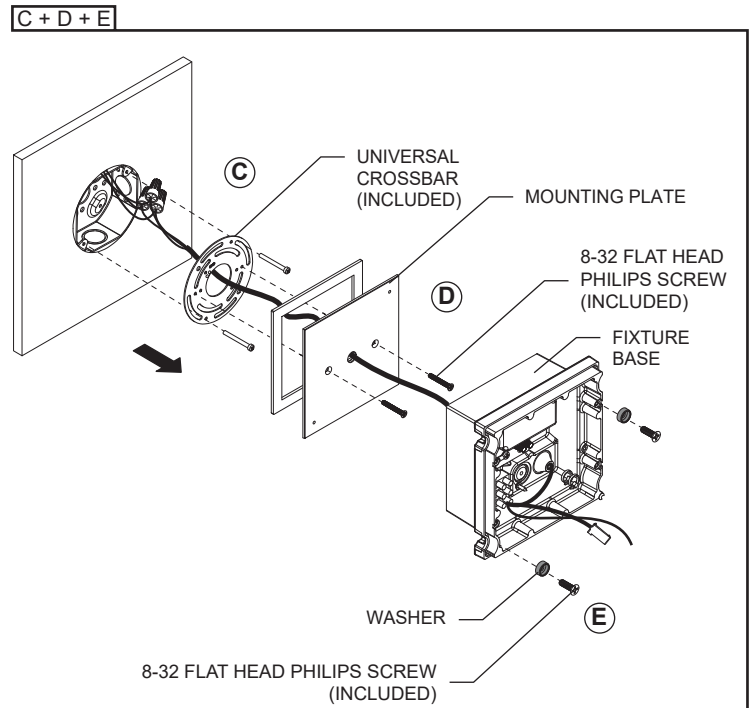
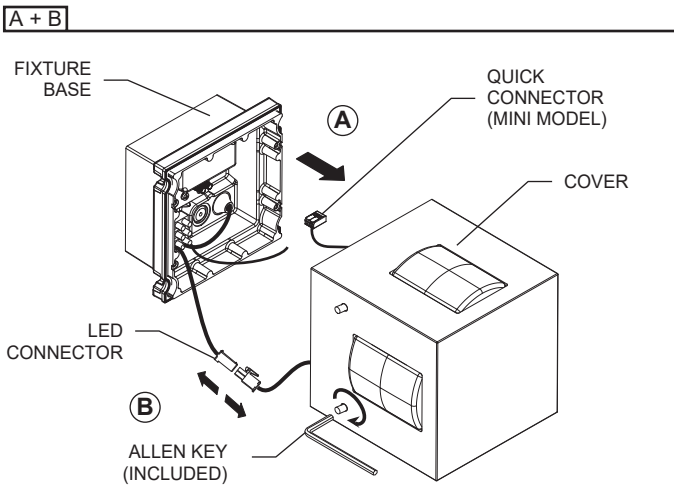


IMPORTANT - READ CAREFULLY BEFORE INSTALLING FIXTURE. RETAIN THESE INSTRUCTIONS FOR FUTURE REFERENCE.
 THIS PRODUCT MUST BE INSTALLED IN ACCORDANCE WITH THE NATIONAL ELECTRICAL CODE AND ALL APPLICABLE LOCAL CODES, BY A PERSON FAMILIAR WITH THE CONSTRUCTION AND OPERATION OF THE PRODUCT, AND THE HAZARDS INVOLVED. PROPER GROUNDING IS REQUIRED FOR SAFETY.

INSTALLATION ON 4" JUNCTION BOX INTEGRAL DRIVER (120-277V)

FOR USE WITH STANDARD 4" JUNCTION BOX (120-277V)

- A- UNSCREW THE (4) SET SCREWS (INCLUDED) WITH ALLEN KEY TO REMOVE THE COVER FROM THE FIXTURE BASE.
DO NOT COMPLETELY REMOVE SCREWS.
- B- DISCONNECT THE LED CONNECTOR AND KEEP THE COVER IN A SAFE PLACE.
- C- INSTALL UNIVERSAL CROSSBAR (INCLUDED) AND MAKE ALL NECESSARY CONNECTIONS (FOLLOWING WIRING DIAGRAM).
- D- INSTALL THE MOUNTING PLATE ON THE CROSSBAR AND USE THE (2) FLAT HEAD PHILIPS SCREW (INCLUDED).
- E- INSTALL THE BASE FIXTURE ON THE MOUNTING PLATE, USING THE FLAT HEAD SCREWS (INCLUDED) AND THE (2) WASHERS.
- F- CONNECT THE LED CONNECTOR TO THE LED AND INSTALL THE DIE-CAST ALUMINUM COVER.
(FOR MINI MODEL, CONNECT THE GROUND WITH THE QUICK CONNECTOR.)
SCREW BACK COVER WITH THE (4) SET SCREWS USING THE INCLUDED ALLEN KEY.



WIRING DIAGRAM

