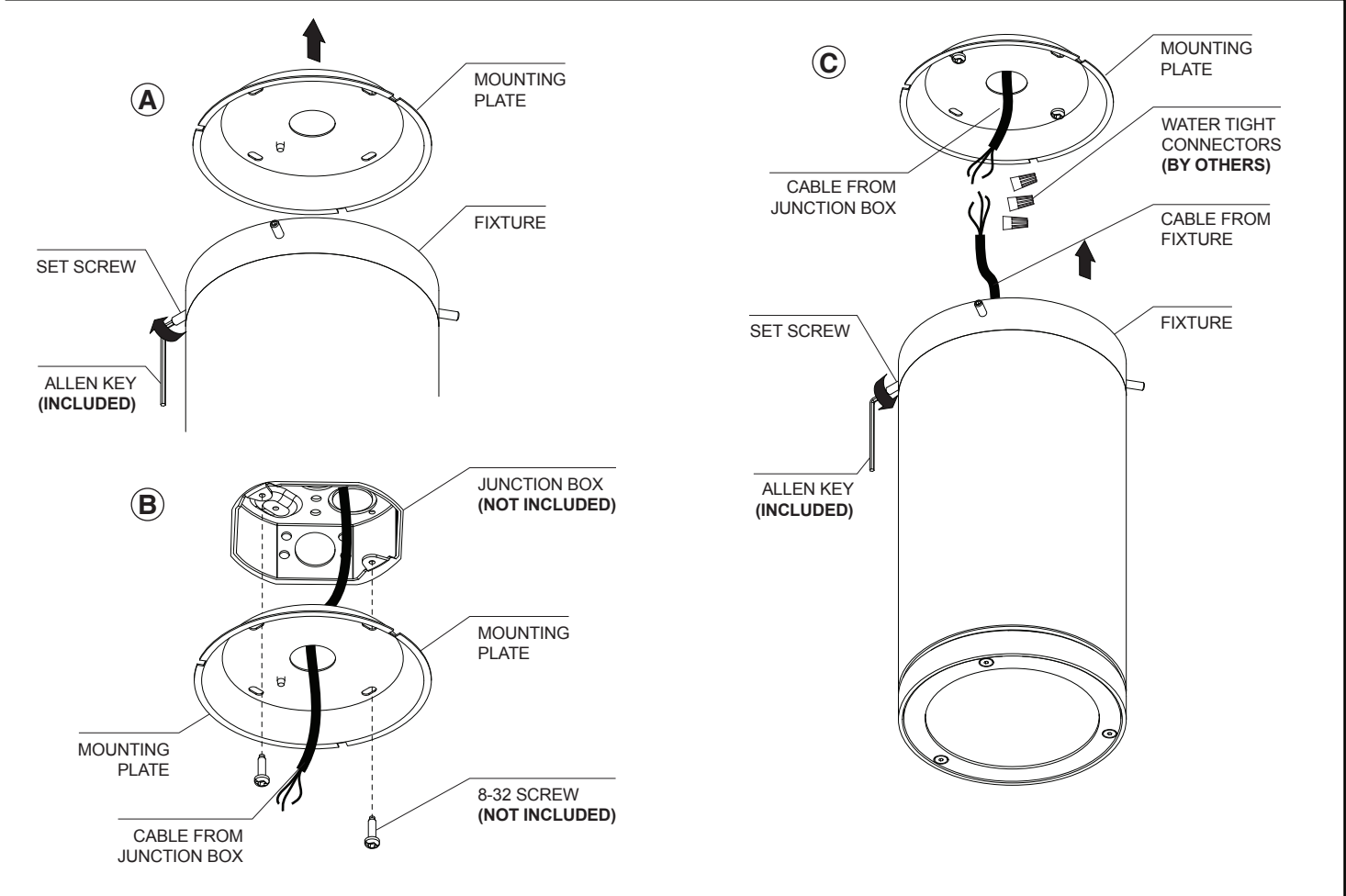


**IMPORTANT** - READ CAREFULLY BEFORE INSTALLING FIXTURE. RETAIN THESE INSTRUCTIONS FOR FUTURE REFERENCE.  
 THIS PRODUCT MUST BE INSTALLED IN ACCORDANCE WITH THE NATIONAL ELECTRICAL CODE AND ALL APPLICABLE LOCAL CODES, BY A PERSON FAMILIAR WITH THE CONSTRUCTION AND OPERATION OF THE PRODUCT, AND THE HAZARDS INVOLVED. PROPER GROUNDING IS REQUIRED FOR SAFETY.

**INSTALLATION WITH 4" JUNCTION BOX  
 INTEGRAL DRIVER (120-277V)  
 DIMMING 0-10V OR TRIAC / ELV (LTE) (120V ONLY)**

- A- UNSCREW THE THREE SET SCREWS USING THE ALLEN KEY PROVIDED TO REMOVE THE MOUNTING PLATE FROM THE FIXTURE BASE.  
 DO NOT COMPLETELY REMOVE SCREWS.  
 B- INSTALL THE MOUNTING PLATE ON JUNCTION BOX USING THE APPROPRIATE 8-32 SCREWS (**NOT INCLUDED**).  
 C- MAKE WATER TIGHT CONNECTIONS (**BY OTHERS**) AND INSTALL THE FIXTURE ON THE MOUNTING PLATE USING THE THREE SET SCREWS.

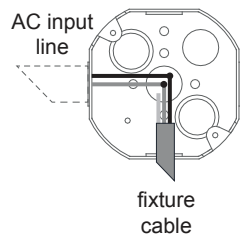
A - C



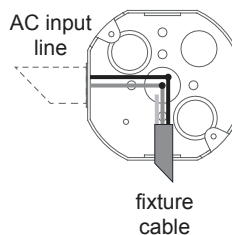
**WIRING DIAGRAM**

LIVE	BLACK
NEUTRAL	WHITE
⏚	GREEN
DIM +	PURPLE or RED
DIM -	GRAY or BLUE

**NO DIMMING**



**DIMMING TRIAC-ELV**



**DIMMING 0-10V**

