


# CONTINUOUS LINE

MODELS: S7016, S7011, S7012


**IMPORTANT** - READ CAREFULLY BEFORE INSTALLING FIXTURE. RETAIN THESE INSTRUCTIONS FOR FUTURE REFERENCE. THIS PRODUCT MUST BE INSTALLED IN ACCORDANCE WITH THE NATIONAL ELECTRICAL CODE AND ALL APPLICABLE LOCAL CODES, BY A PERSON FAMILIAR WITH THE CONSTRUCTION AND OPERATION OF THE PRODUCT, AND THE HAZARDS INVOLVED. PROPER GROUNDING IS REQUIRED FOR SAFETY.

**⚠ DISCONNECT THE MAIN LINE BEFORE WIRING SECONDARY CONNECTORS.**

## WARNING


 ALWAYS USE 12" (300mm) OF GRAVEL FOR DRAINAGE AND VERIFY THAT IT DRAINS WELL OR USE A CONCRET DRAIN AT THE BOTTOM.

 NEVER INSTALL PRODUCTS IN CASE OF FOG RAIN, OR HIGH HUMIDITY.

 CLEAN REGULARLY TO PREVENT SOIL HEAP ON COVER AND SCREWS.

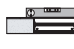
 ALWAYS KEEP SURFACES CLEAN AND UNOBSTRUCTED.


 KEEP SURFACES PROTECTED FROM SOIL AND CHEMICAL ELEMENTS.

 FIXTURE CAN BE INSTALLED IN GROUND OR WALL. NEVER INSTALL THE FIXTURE IN THE CEILING.

 USE ONLY FLEXIBLE CABLES (MAX. 14 AWG)

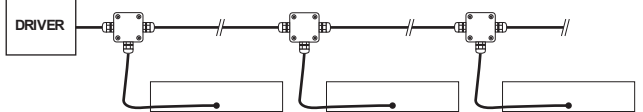
 ALWAYS USE MOUNTING COMPONENTS.

 WHEN INSTALLING SURFACE, MAKE SURE THE FIXTURE IS PERFECTLY LEVELLED WITH THE SURFACE.

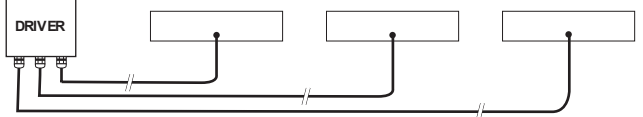
 NO THROUGH WIRING, USE A CABLE CONNECTION FOR EACH FIXTURE AS SEEN IN THE WIRING DIAGRAM BELOW.

### WIRING DIAGRAM

OPTION 1:



OPTION 2:



## GROUND INSTALLATION IN CONCRETE WITH RECESSED BOX TO REMOTE DRIVER (REM) (24V)

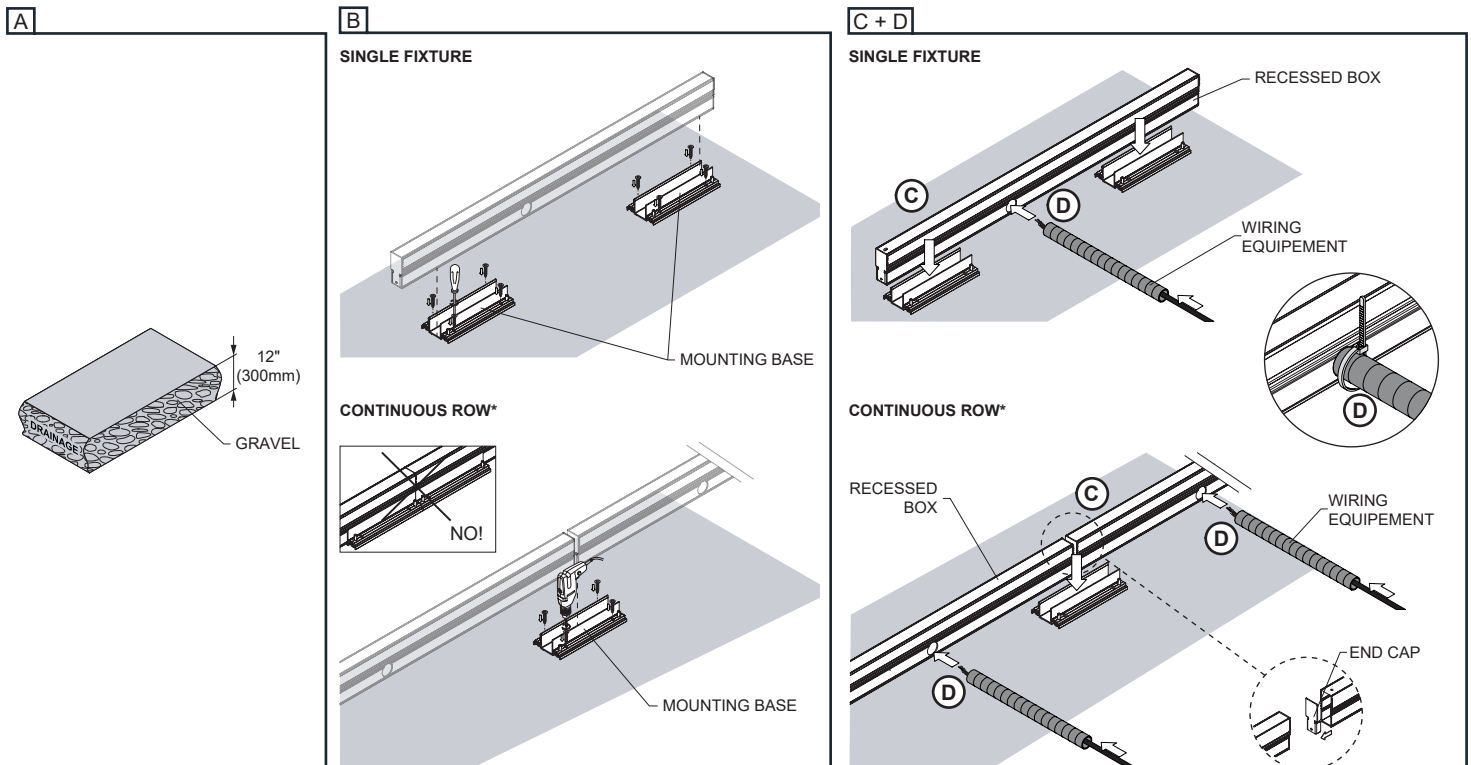
A- INSTALL DRAINING EQUIPMENT.

B- FASTEN MOUNTING BASE USING SCREWS (**NOT INCLUDED**). \*FOR A CONTINUOUS ROW INSTALLATION MAKE SURE THE MOUNTING BASE IS ALIGNED WITH THE FIXTURES JUNCTION.

C- INSTALL RECESSED BOX IN THE MOUNTING BASE. \*FOR A CONTINUOUS ROW INSTALLATION TAKE OFF ONE END CAP AT EACH FIXTURES JUNCTIONS, AS SHOWN.

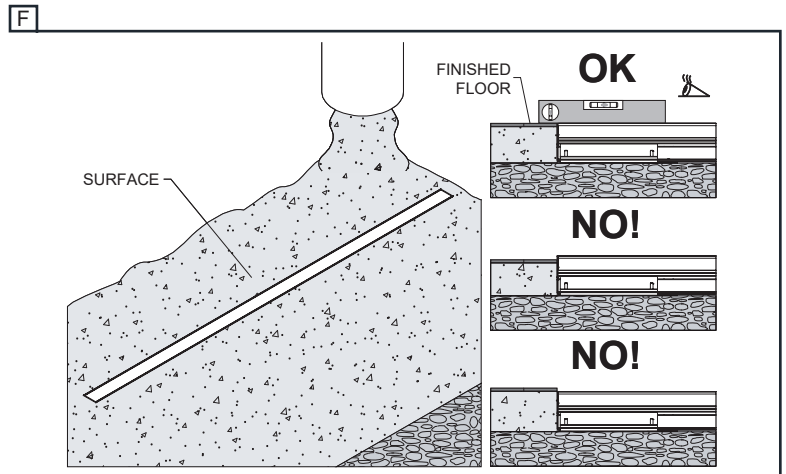
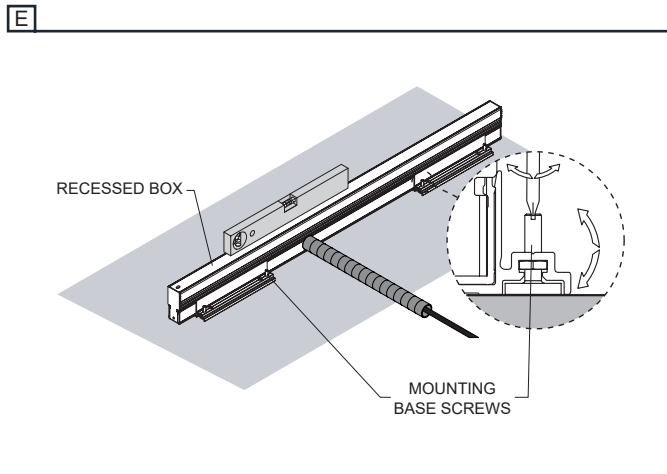
D- CONNECT THE WIRING EQUIPMENT IN THE PRE-PERFORATED HOLE OF EACH RECESSED BOX (FOLLOWING POLARITY MARKING).

-	BLACK
+	RED



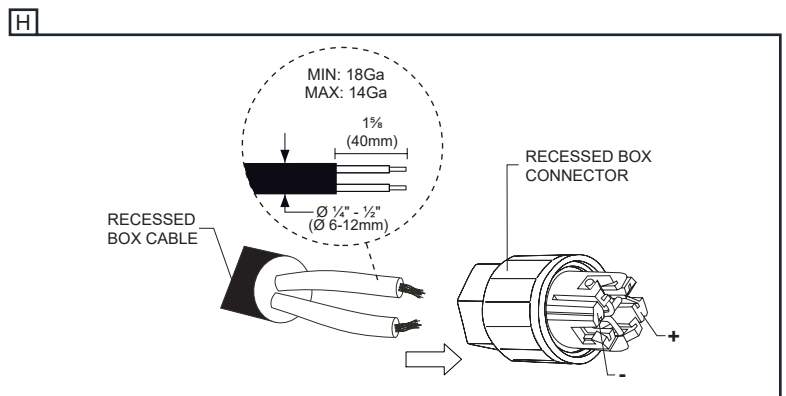
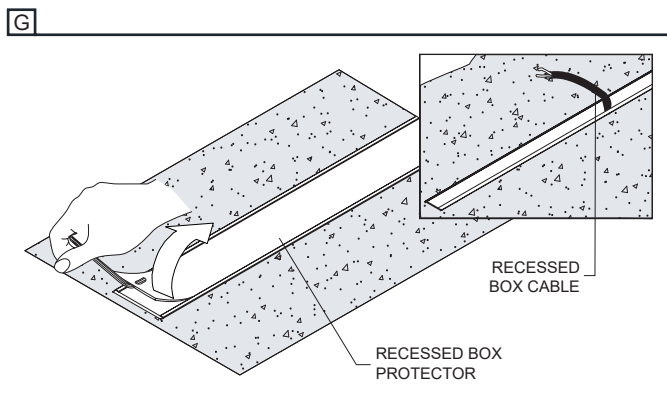
E- ADJUST THE MOUNTING BASE SCREWS TO LEVEL THE RECESSED BOX.

F- POUR CONCRETE AND BE SURE SURFACE IS FLUSH WITH THE RECESSED BOX.



G- REMOVE THE RECESSED BOX PROTECTOR OF AND TAKE OUT THE RECESSED BOX CABLE.

H- INSERT THE RECESSED BOX CABLE IN THE RECESSED BOX CONNECTOR (FOLLOWING POLARITY MARKING).



I- CONNECT THE RECESSED BOX CONNECTOR WITH THE FIXTURE CONNECTOR, AS SHOWN.

J- INSERT THE FIXTURE INTO THE RECESSED BOX AND MAKE SURE IT CLIPS.

